

Excellent Integrated System Limited

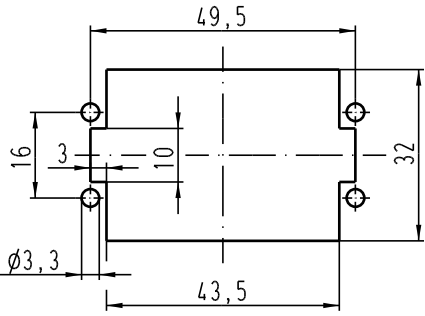
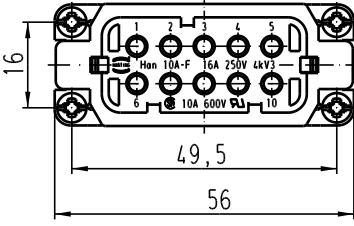
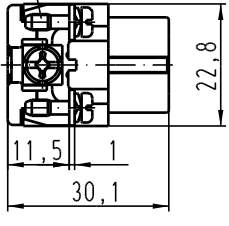
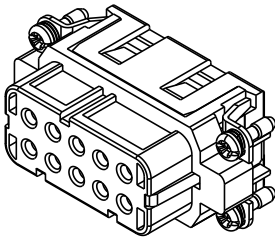
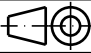

Stocking Distributor

Click to view price, real time Inventory, Delivery & Lifecycle Information:

[Harting](#)
[09200103101](#)

For any questions, you can email us directly:
sales@integrated-circuit.com

Alle Rechte vorbehalten/ All rights reserved

	5	4	3	2	1																
D	<p>Montageausschnitt/ panel cut out</p> 																				
C																					
B																					
A																					
 <p>All Dimensions in mm Original Size DIN A 4</p>			<p>Techn. Character.</p> <table border="1" style="width:100%; border-collapse: collapse;"> <tr> <td></td> <td>Dat.</td> <td>Name</td> <td rowspan="3" style="text-align: center; vertical-align: middle;">Massstab/Scale 1:1</td> </tr> <tr> <td></td> <td>Defail.</td> <td>PL</td> </tr> <tr> <td></td> <td>Insp.</td> <td>SDT</td> </tr> <tr> <td></td> <td>Stand.</td> <td></td> <td></td> </tr> </table>			Dat.	Name	Massstab/Scale 1:1		Defail.	PL		Insp.	SDT		Stand.			<p>Wicht. Intolerierte Masse! free size tolerances</p> <p style="font-size: 1.2em; font-weight: bold;">Han 10A-F-c</p> <p>Buchseinsatz / female insert</p>		
	Dat.	Name	Massstab/Scale 1:1																		
	Defail.	PL																			
	Insp.	SDT																			
	Stand.																				
<table border="1" style="width:100%; border-collapse: collapse;"> <tr> <td>411720</td> <td>25.07.05</td> <td>Grie</td> </tr> <tr> <td>41526</td> <td>18.07.03</td> <td>Ho</td> </tr> <tr> <td>29660</td> <td>13.08.01</td> <td>Poe</td> </tr> <tr> <td>25622</td> <td></td> <td></td> </tr> <tr> <td>Mod.</td> <td>Dat.</td> <td>Name</td> </tr> </table>			411720	25.07.05	Grie	41526	18.07.03	Ho	29660	13.08.01	Poe	25622			Mod.	Dat.	Name	<p>HARTING Electric GmbH & Co. KG D-32339 Espelkamp</p> 		<p style="font-size: 1.2em; font-weight: bold;">TB 09 20 010 3101</p> <p>Sub. TB 09 20 0.. 3101 v. 08.03.93</p>	
411720	25.07.05	Grie																			
41526	18.07.03	Ho																			
29660	13.08.01	Poe																			
25622																					
Mod.	Dat.	Name																			
					<p>Blatt/ page</p>																