

Excellent Integrated System Limited

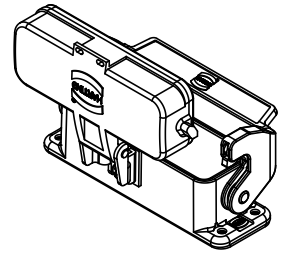
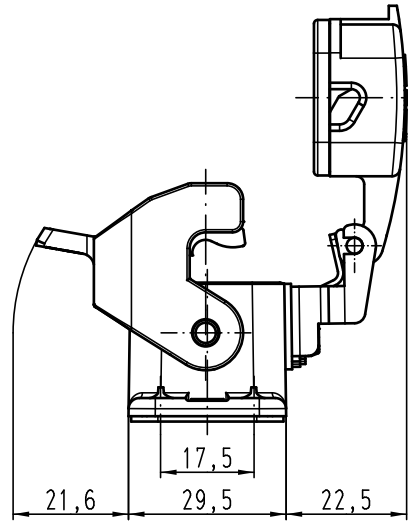
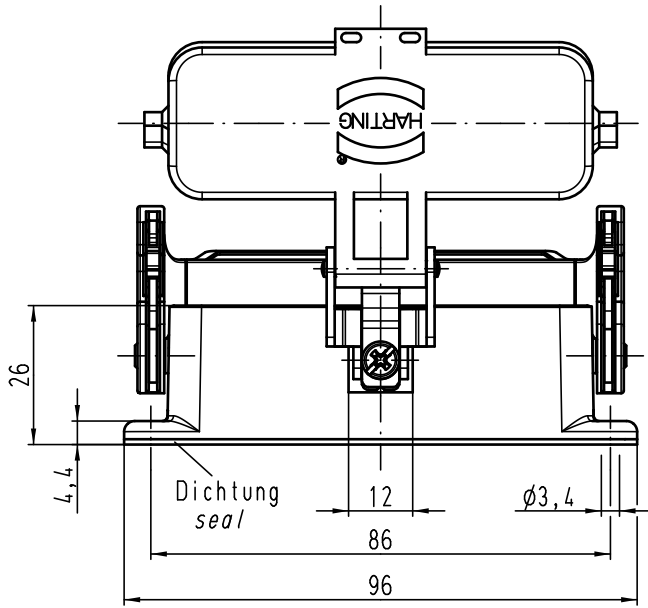
Stocking Distributor

Click to view price, real time Inventory, Delivery & Lifecycle Information:

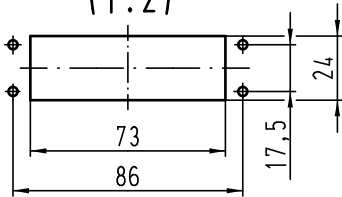
[Harting](#)
[09200160321](#)

For any questions, you can email us directly:
sales@integrated-circuit.com

Alle Rechte vorbehalten/ All rights reserved



Montageausschnitt
panel cut out
(1:2)



All Dimensions in mm Original Size DIN A 4			Techn. Character.			Nicht tolerierte Maße/ Free size tolerances	
			Detail.	18.10.11	gru	1:1	Han 16A-agg-LB-K Anbaugehäuse housing bulkhead mounting
			Insp.		Tie		
			Stand.				
B	20.03.12	ML	HARTING Electric GmbH & Co. KG			TB 09 20 016 0321	Blatt/ page
A			D-32339 Espelkamp				
Mod.	Dat.	Name				Sub. TB 09 20 016 0321 v. 20.07.94	

