

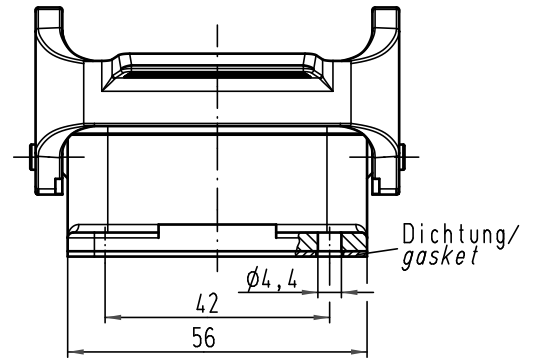
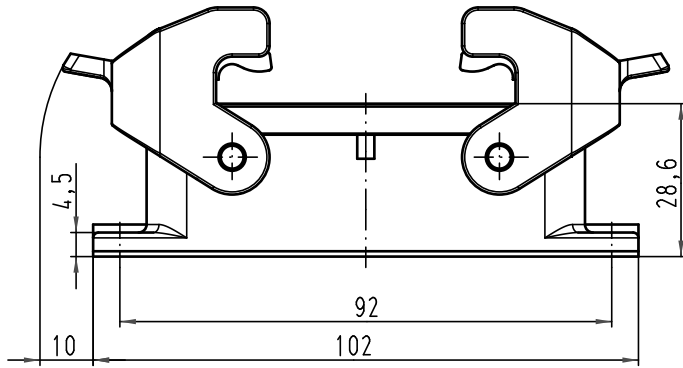
Excellent Integrated System Limited

Stocking Distributor

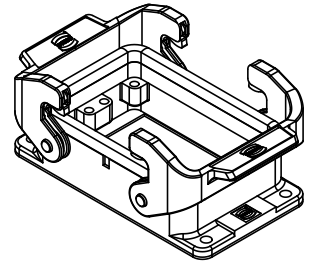
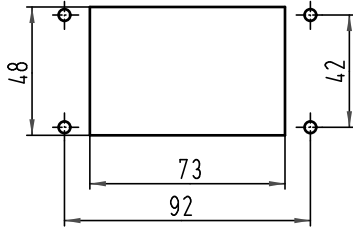
Click to view price, real time Inventory, Delivery & Lifecycle Information:

[Harting](#)
[09200320301](#)

For any questions, you can email us directly:
sales@integrated-circuit.com



Montageausschnitt/
panel cut-out
1:2



All Dimensions in mm Original Size DIN A 4			Techn. Character.			Nicht tolerierte Masse/ Free size tolerances	
				Det.	Name	Massstab/Scale	
				02.03.93	MEIER	1:1	
			Insp.		HERB	1:2	
412752	28.02.07	Ho	Stand.		NÖTZEL	Han 32A-agg-QB	
24772	18.09.98	PL	HARTING Electric GmbH & Co. KG			Anbaugeschäule/ housing bulkhead mounting	
15042	04.06.93	HERB	D-32339 Espelkamp			TB 09 20 032 0301	
Mod.	Dat.	Name				Sub. TB 09 20 032 0301 v. 02.03.98	