

## Excellent Integrated System Limited

Stocking Distributor

Click to view price, real time Inventory, Delivery & Lifecycle Information:

[Harting](#)  
[09210073031](#)

For any questions, you can email us directly:  
[sales@integrated-circuit.com](mailto:sales@integrated-circuit.com)

5

4

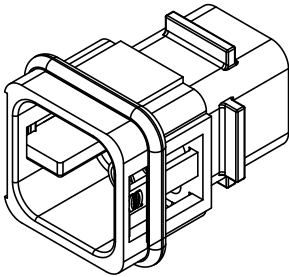
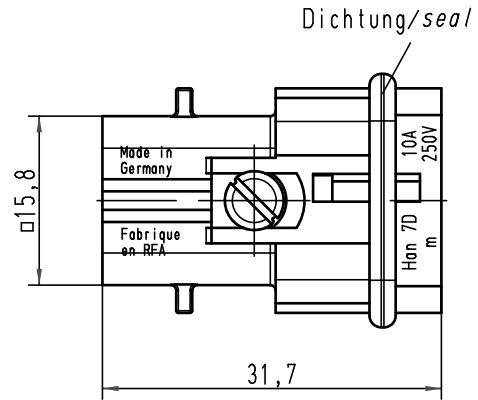
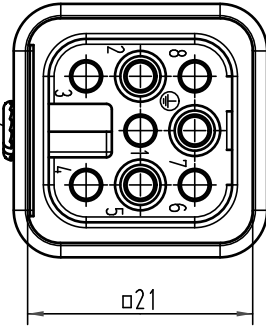
3



2

1

D  
C  
B  
A

Befestigungsschraube  
lose beigelegt  
insert fixing screw  
is enclosed



 All Dimensions in mm Original Size DIN A 4			Techn. Character.			Nicht tolerierte Maß/Free size tolerances	
			Detail.	25.02.93	PENNER	Maßstab/Scale <b>2:1</b>	Han 7D-M Stiftträger/ male insert
			Insp.		HERB		
			Stand.				
414050	01.08.08	Rull	HARTING Electric GmbH & Co. KG				<b>TB 09 21 007 3031</b> Sub. TB 09 21 007 3031 v. 14.06.85
410629	28.11.03	ML	D-32339 Espelkamp				
Mod.	Dat.	Name					Blatt/ page