

## Excellent Integrated System Limited

Stocking Distributor

Click to view price, real time Inventory, Delivery & Lifecycle Information:

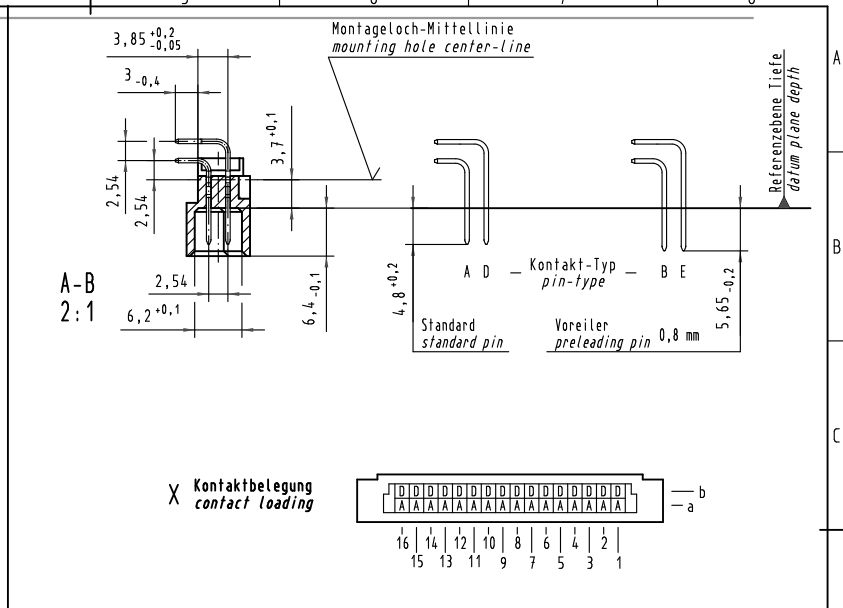
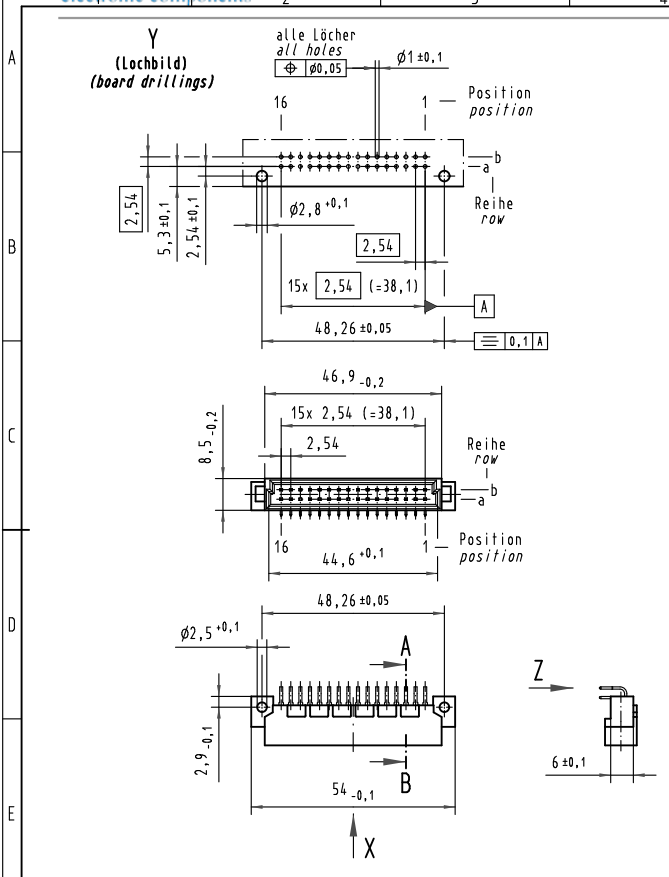
[Harting](#)

[09221326919](#)

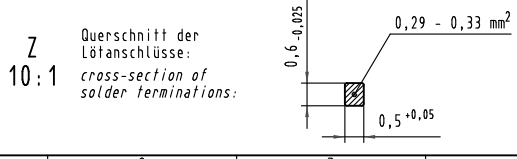
For any questions, you can email us directly:

[sales@integrated-circuit.com](mailto:sales@integrated-circuit.com)

Alle Rechte vorbehalten. All rights reserved.



09 22 132 6919	2	Au flash over PdNi over Ni
Bestell-Nr. part-no.	Anforderungsstufe nach IEC performance level acc. to IEC	Kontaktoberfläche contact plating



All Dimensions in mm Original Size DIN A 3		Techn. Character.		Nicht tolerierte Maß/Free size tolerances IEC 60603-2	
Detail.	28.08.09 Bus.	Name	Maßstab/Scale	Bauform 2B Messerleiste Einlötl, 32 pol., SMC (Hochtemperatur) type 2B male connector solder, 32 pol., SMC (high temperature)	
Insp.	28.08.09 TD		1:1		
Stand.			2:1		
			10:1		
35568		HARTING Electronics GmbH & Co. KG	TB 09 22 132 x919		Blatt/ page
Mod.	Dat.	D-32339 ESPELKAMP	Sub.		