

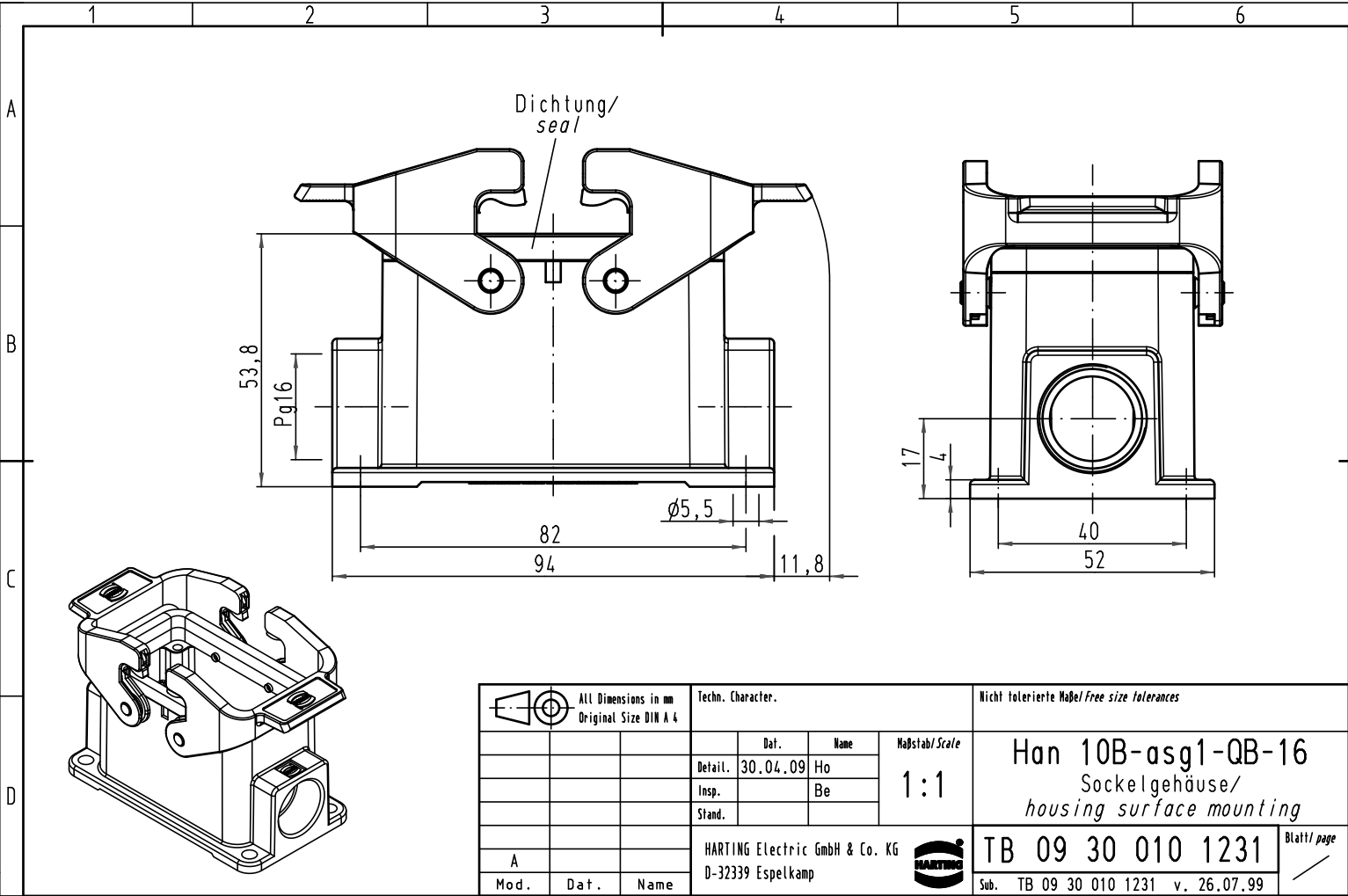
Excellent Integrated System Limited


Stocking Distributor

Click to view price, real time Inventory, Delivery & Lifecycle Information:

[Harting](#)
[09300101231](#)

For any questions, you can email us directly:
sales@integrated-circuit.com



All Dimensions in mm Original Size DIN A 4			Techn. Character.			Nicht tolerierte Maß/Free size tolerances	
			Detail.	30.04.09	Ho	1:1	Han 10B-asg1-QB-16 Sockelgehäuse/ housing surface mounting
			Insp.		Be		
			Stand.				
A			HARTING Electric GmbH & Co. KG D-32339 Espelkamp				TB 09 30 010 1231
Mod.	Dat.	Name					Sub. TB 09 30 010 1231 v. 26.07.99