

Excellent Integrated System Limited

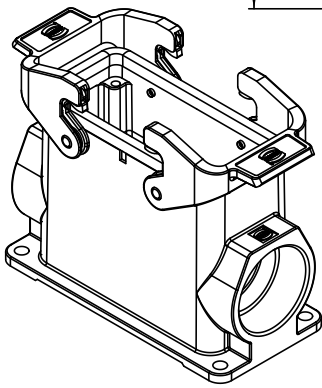
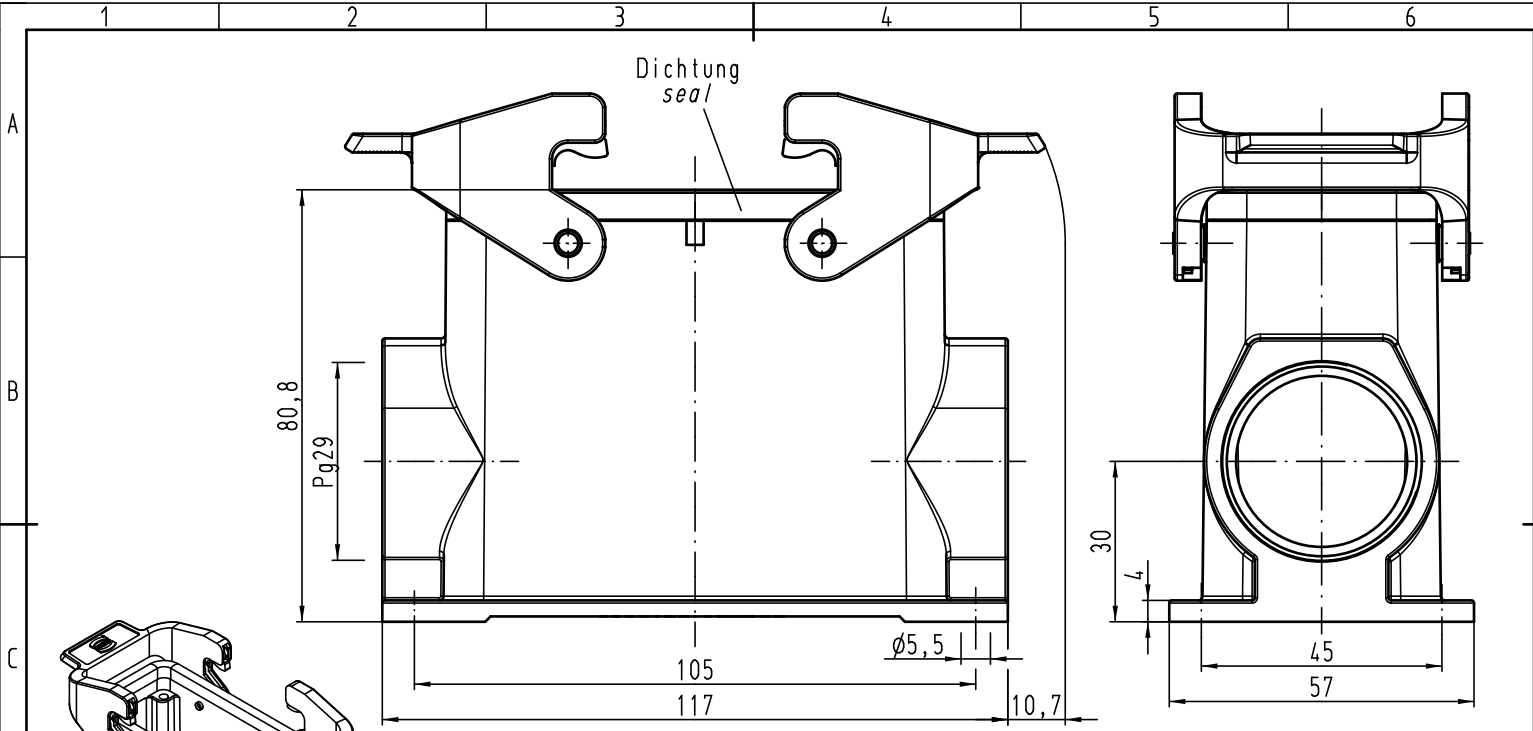
Stocking Distributor

Click to view price, real time Inventory, Delivery & Lifecycle Information:

[Harting](#)
[09300160231](#)

For any questions, you can email us directly:
sales@integrated-circuit.com

Alle Rechte vorbehalten/ All rights reserved



All Dimensions in mm Original Size DIN A 4			Techn. Character.			Nicht tolerierte Maßel/ Free size tolerances			
						Han 16B-asg1-QB-29 Sockelgehäuse housings surface mounting			
			Detail.	30.05.11	Ho				Maßstab/Scale 1:1
			Insp.		Be				
			Stand.						
A			HARTING Electric GmbH & Co. KG			TB 09 30 016 0231			
Mod.	Dat.	Name	D-32339 Espelkamp						Blatt/ page Sub. TB 09 30 016 0231 v. 19.02.02