

Excellent Integrated System Limited

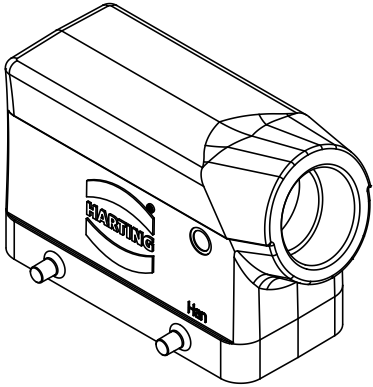
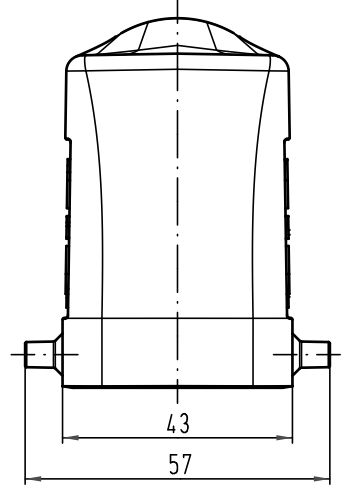
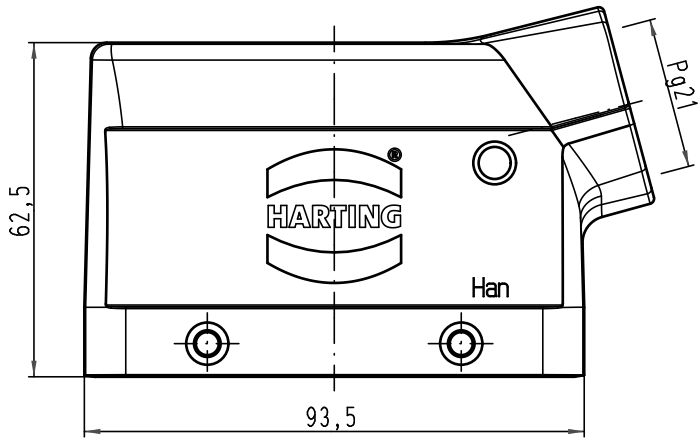
Stocking Distributor



Click to view price, real time Inventory, Delivery & Lifecycle Information:

[Harting](#)
[09300161520](#)

For any questions, you can email us directly:
sales@integrated-circuit.com

Alle Rechte vorbehalten/ All rights reserved



 All Dimensions in mm Original Size DIN A 4			Techn. Character.			Nicht tolerierte Maß/Free size tolerances			
				Dat.	Name	Maßstab/Scale 1:1	Han 16B-gs-21 Tüllengehäuse/hood		
				Detail.	13.11.09				Ho
				Insp.					Be
				Stand.					
A			HARTING Electric GmbH & Co. KG				TB 09 30 016 1520		Blatt/ page
Mod.	Dat.	Name	D-32339 Espelkamp				Sub. TB 09 30 016 1520 v. 16.08.99		