

Excellent Integrated System Limited

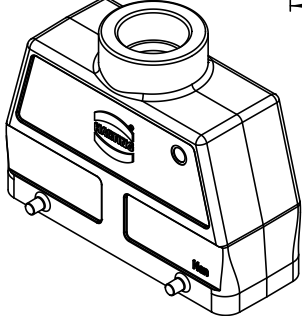
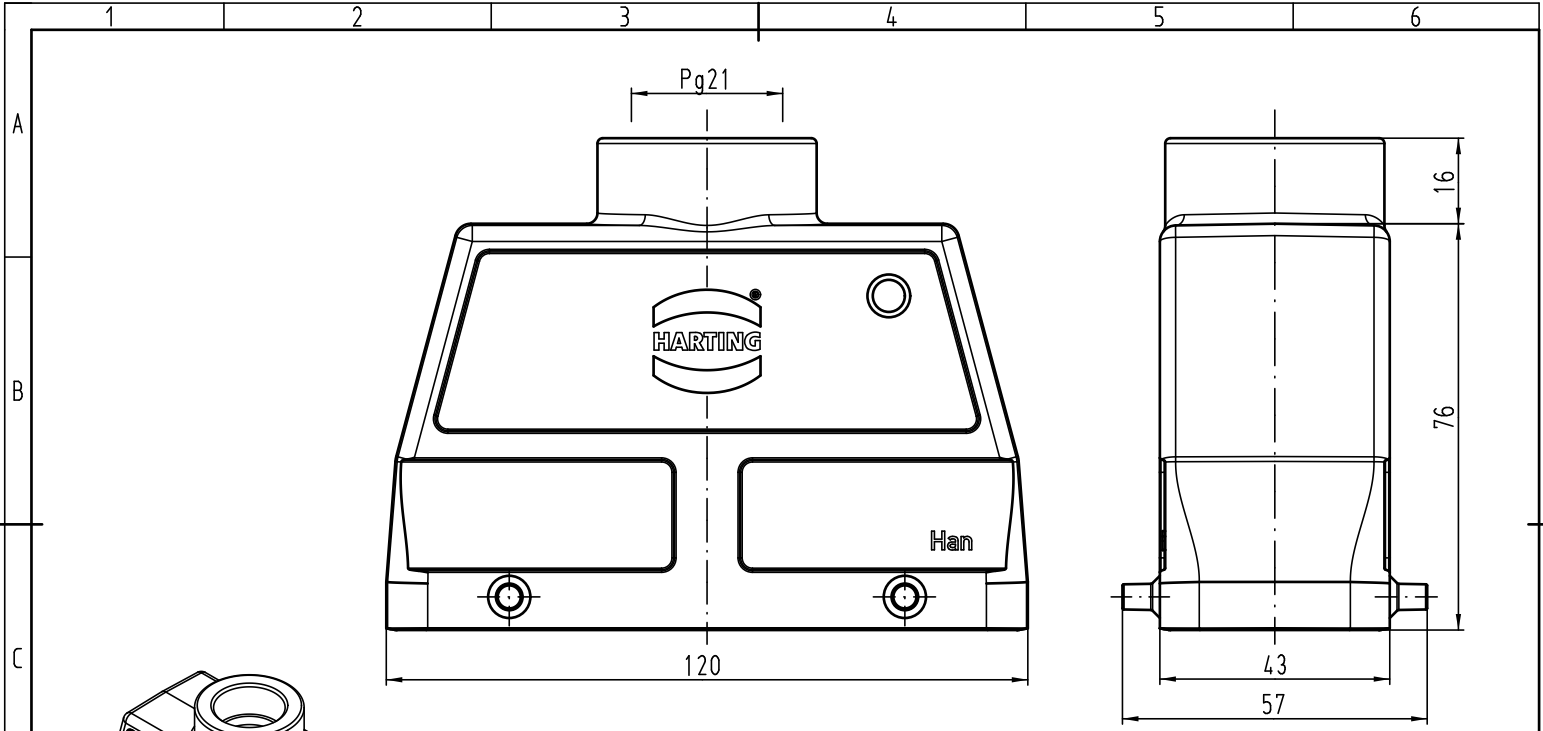
Stocking Distributor

Click to view price, real time Inventory, Delivery & Lifecycle Information:

[Harting](#)
[09300240420](#)

For any questions, you can email us directly:
sales@integrated-circuit.com

Alle Rechte vorbehalten/ All rights reserved



| | | | | | | | | | | | | | | | | | | |
|--|----------|------|--|---------|----------|---|-------|---|----|--------------------------|-------------|--|--|---------------|-----|---------------------------------------|--|--|
| All Dimensions in mm Original Size DIN A 4 | | | Techn. Character. | | | Nicht tolerierte Maße/ Free size tolerances | | | | | | | | | | | | |
| | | | <table border="1"> <tr> <td>Detail.</td> <td>11.04.11</td> <td>Ho</td> </tr> <tr> <td>Insp.</td> <td></td> <td>Be</td> </tr> <tr> <td>Stand.</td> <td></td> <td></td> </tr> </table> | Detail. | 11.04.11 | Ho | Insp. | | Be | Stand. | | | <table border="1"> <tr> <td>Maßstab/Scale</td> <td rowspan="3">1:1</td> </tr> </table> | Maßstab/Scale | 1:1 | Han 24B-gg-21 Gehäuse/ hood | | |
| Detail. | 11.04.11 | Ho | | | | | | | | | | | | | | | | |
| Insp. | | Be | | | | | | | | | | | | | | | | |
| Stand. | | | | | | | | | | | | | | | | | | |
| Maßstab/Scale | 1:1 | | | | | | | | | | | | | | | | | |
| <table border="1"> <tr> <td>A</td> <td></td> <td></td> </tr> <tr> <td>Mod.</td> <td>Dat.</td> <td>Name</td> </tr> </table> | | A | | | Mod. | Dat. | Name | HARTING Electric GmbH & Co. KG D-32339 Espelkamp | | TB 09 30 024 0420 | Blatt/ page | | | | | | | |
| A | | | | | | | | | | | | | | | | | | |
| Mod. | Dat. | Name | | | | | | | | | | | | | | | | |
| | | | Sub. TB 09 30 024 0420 v. 22.10.01 | | | | | | | | | | | | | | | |