

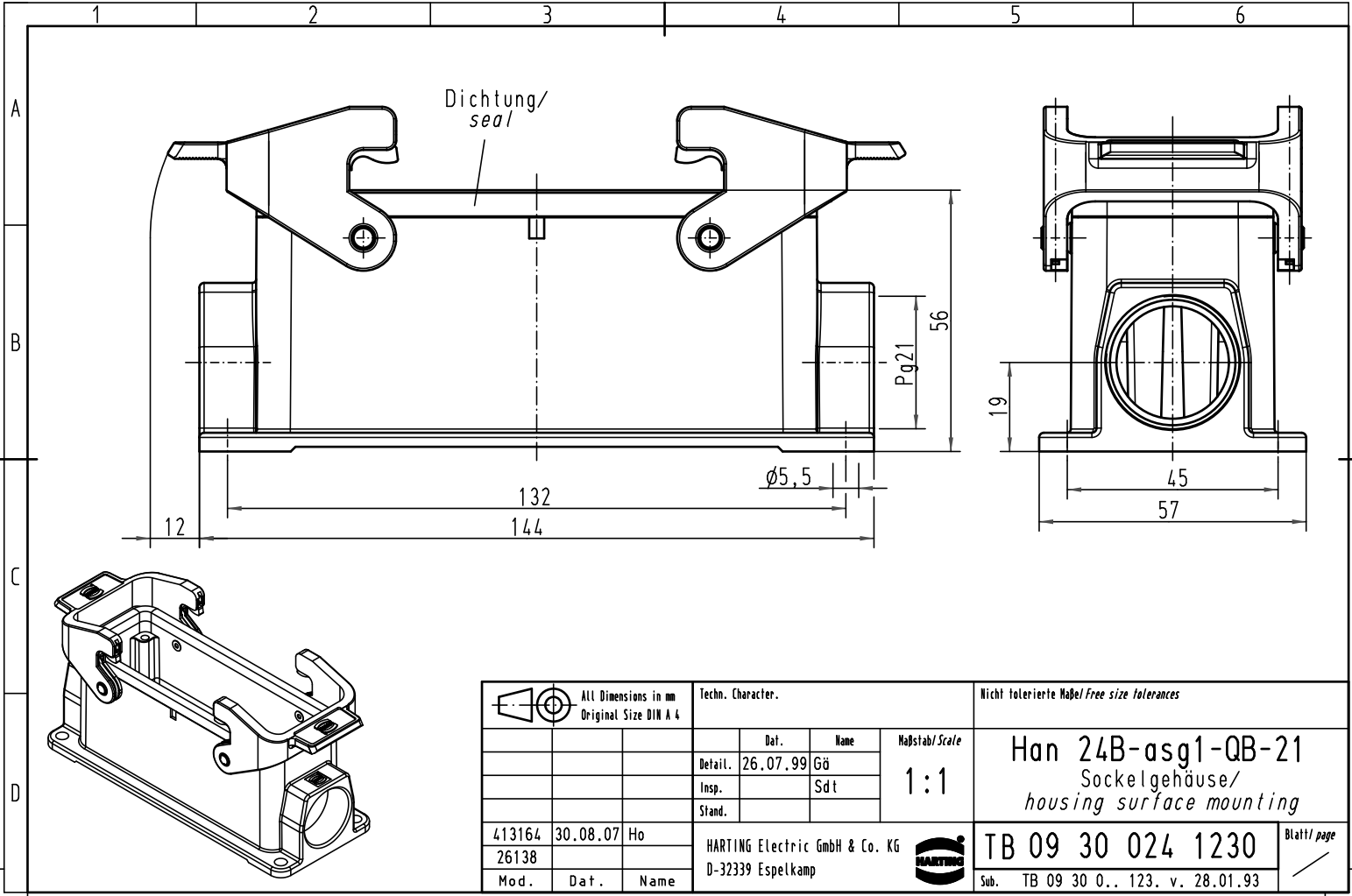
Excellent Integrated System Limited

Stocking Distributor

Click to view price, real time Inventory, Delivery & Lifecycle Information:

[Harting](#)
[09300241230](#)

For any questions, you can email us directly:
sales@integrated-circuit.com



All Dimensions in mm Original Size DIN A 4			Techn. Character.			Nicht tolerierte Maß/Free size tolerances			
			Dat. 26.07.99	Name Gt	Maßstab/Scale 1:1	Han 24B-asg1-QB-21 Sockelgehäuse/ housing surface mounting			
			Insp.	Sdt					
			Stand.						
413164 26138 Mod.	30.08.07 Dat.	Ho Name	HARTING Electric GmbH & Co. KG D-32339 Espelkamp					TB 09 30 024 1230 Sub. TB 09 30 0.. 123. v. 28.01.93	Blatt/ page