

Excellent Integrated System Limited

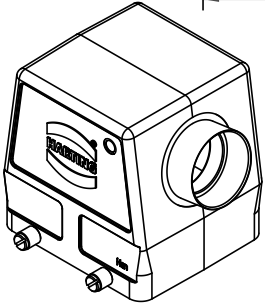
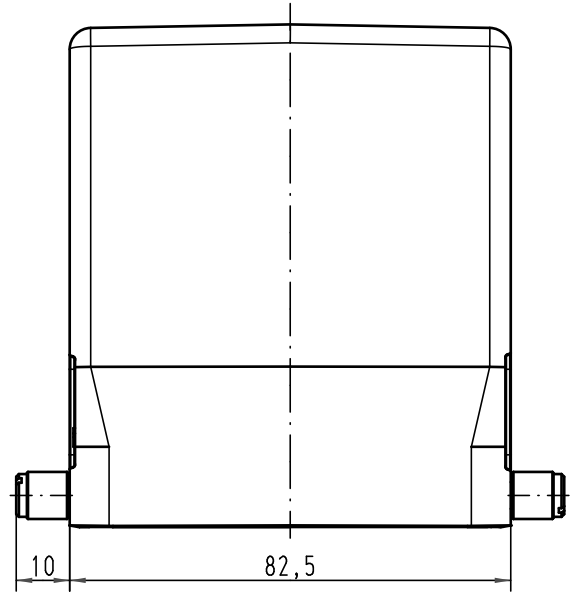
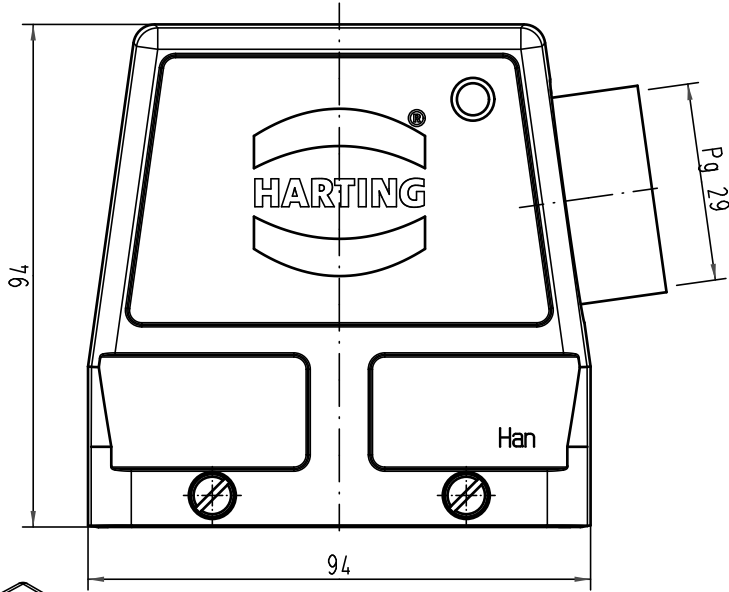
Stocking Distributor

Click to view price, real time Inventory, Delivery & Lifecycle Information:

[Harting](#)
[09300320521](#)

For any questions, you can email us directly:
sales@integrated-circuit.com

Alle Rechte vorbehalten/ All rights reserved



All Dimensions in mm Original Size DIN A 4			Techn. Character.			Nicht tolerierte Maß/Free size tolerances	
				Dat.	Name	Maßstab/Scale 1:1	Han 32B-gs-R-29 Tüllengehäuse hood
			Detail.	23.11.09	Rull		
			Insp.		Sch		
			Stand.				
A			HARTING Electric GmbH & Co. KG				TB 09 30 032 0521
Mod.	Dat.	Name	D-32339 Espelkamp				
						Sub.	TB 09 30 032 0521 v. 03.12.99
							Blatt/ page