

Excellent Integrated System Limited

Stocking Distributor

Click to view price, real time Inventory, Delivery & Lifecycle Information:

[Harting](#)
[09330006162](#)

For any questions, you can email us directly:
sales@integrated-circuit.com

5

4

3

2

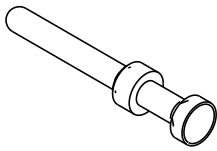
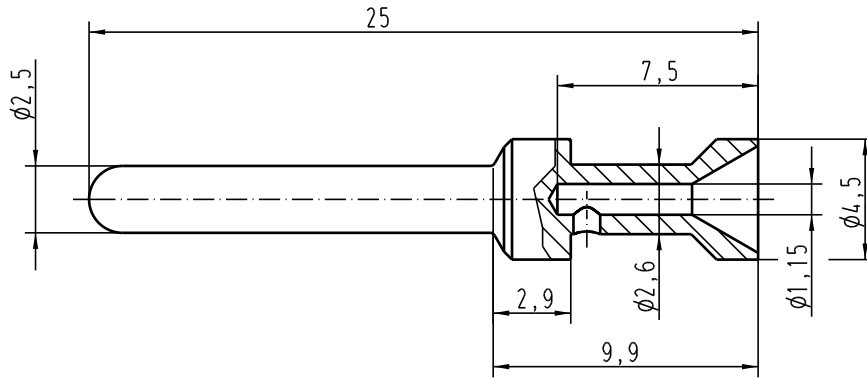
1

D

C

B

A



Werkstoff/ material: CuNi

Leiterquerschnitt/ wire gauge: 0,5mm²/AWG20

Abisolierlänge der Litze/ stripping length: 7,5

All Dimensions in mm Original Size DIN A 4			Techn. Character.			Nicht tolerierte Masse/ free size tolerances	
			Dat.	Name	Maststab/ Scale 5:1	Han E Kontaktstift-crimp <i>Han E male contact crimp</i>	
			Detail.	21.06.06 Bor			
			Insp.	Be			
			Stand.				
412270			HARTING Electric GmbH & Co. KG			TB 09 33 000 6162	
Mod.	Dat.	Name	D-32339 Espelkamp			Sub. TB 09 33 000 61... v. 17.07.96	
						Blatt/ page 	