

Excellent Integrated System Limited

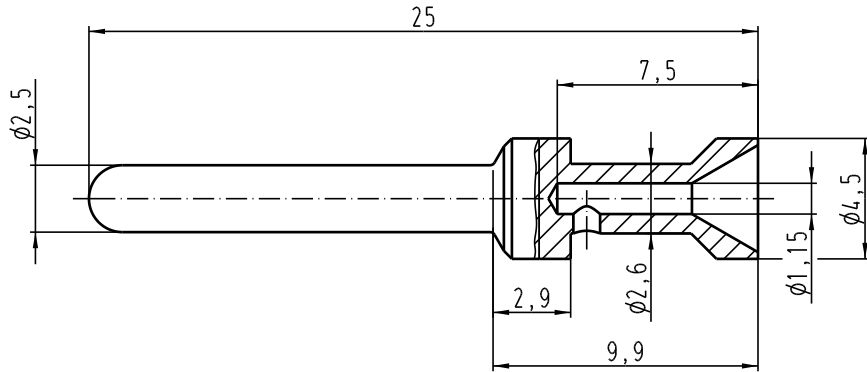
Stocking Distributor

Click to view price, real time Inventory, Delivery & Lifecycle Information:

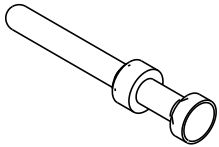
[Harting](#)
[09330006172](#)

For any questions, you can email us directly:
sales@integrated-circuit.com

Alle Rechte vorbehalten/ All rights reserved



Werkstoff/ material: Fe
 Leiterquerschnitt/ wire gauge: 0,5mm²/AWG20
 Abisolierlänge der Litze/ stripping length: 7,5



All Dimensions in mm Original Size DIN A 4			Techn. Character.			Nicht tolerierte Masse/ free size tolerances			
				Dat.	Name	Massestab/Scale 5:1	HAN E Kontaktstift-crimp <i>Han E male contact crimp</i> <i>vergoldet/ gold plated</i>		
			Detail.	21.06.06	Bor				
			Insp.		Be				
			Stand.						
412270			HARTING Electric GmbH & Co. KG				TB 09 33 000 6172		Blatt/ page
Mod.	Dat.	Name	D-32339 Espelkamp				Sub. TB 09 33 000 61... v. 17.07.96		