

## Excellent Integrated System Limited

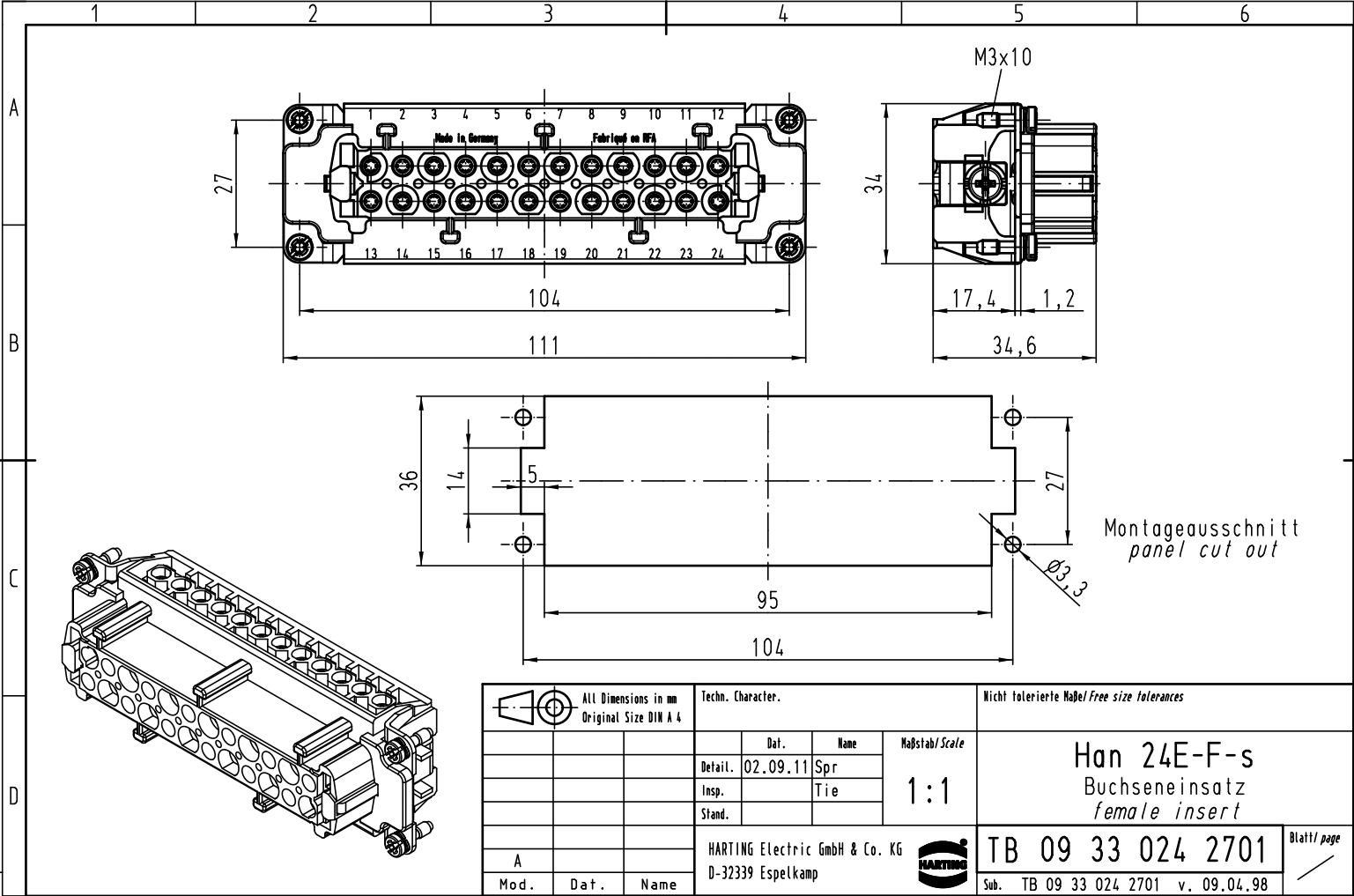
Stocking Distributor

Click to view price, real time Inventory, Delivery & Lifecycle Information:

[Harting](#)  
[09330242701](#)

For any questions, you can email us directly:  
[sales@integrated-circuit.com](mailto:sales@integrated-circuit.com)

Alle Rechte vorbehalten/ All rights reserved



Montageausschnitt  
panel cut out

|   |      |      |                                |          |      |   |  |             |
|---|------|------|--------------------------------|----------|------|---|--|-------------|
| All Dimensions in mm<br>Original Size DIN A 4 |      |      | Techn. Character.              |          |      | Nicht tolerierte Maß/Free size tolerances |  |             |
|   |      |      | Detail.                        | Dat.     | Name | Maßstab/Scale                             | <b>Han 24E-F-s</b><br>Buchseneinsatz<br>female insert          |             |
|   |      |      | Insp.                          | 02.09.11 | Spr  |   |  | 1:1         |
|   |      |      | Stand.                         |          | Tie  |   |  |             |
| A   |      |      | HARTING Electric GmbH & Co. KG |          |      |   | <b>TB 09 33 024 2701</b><br>Sub. TB 09 33 024 2701 v. 09.04.98 |             |
| Mod.  | Dat. | Name | D-32339 Espelkamp              |          |      |   |  | Blatt/ page |