

Excellent Integrated System Limited

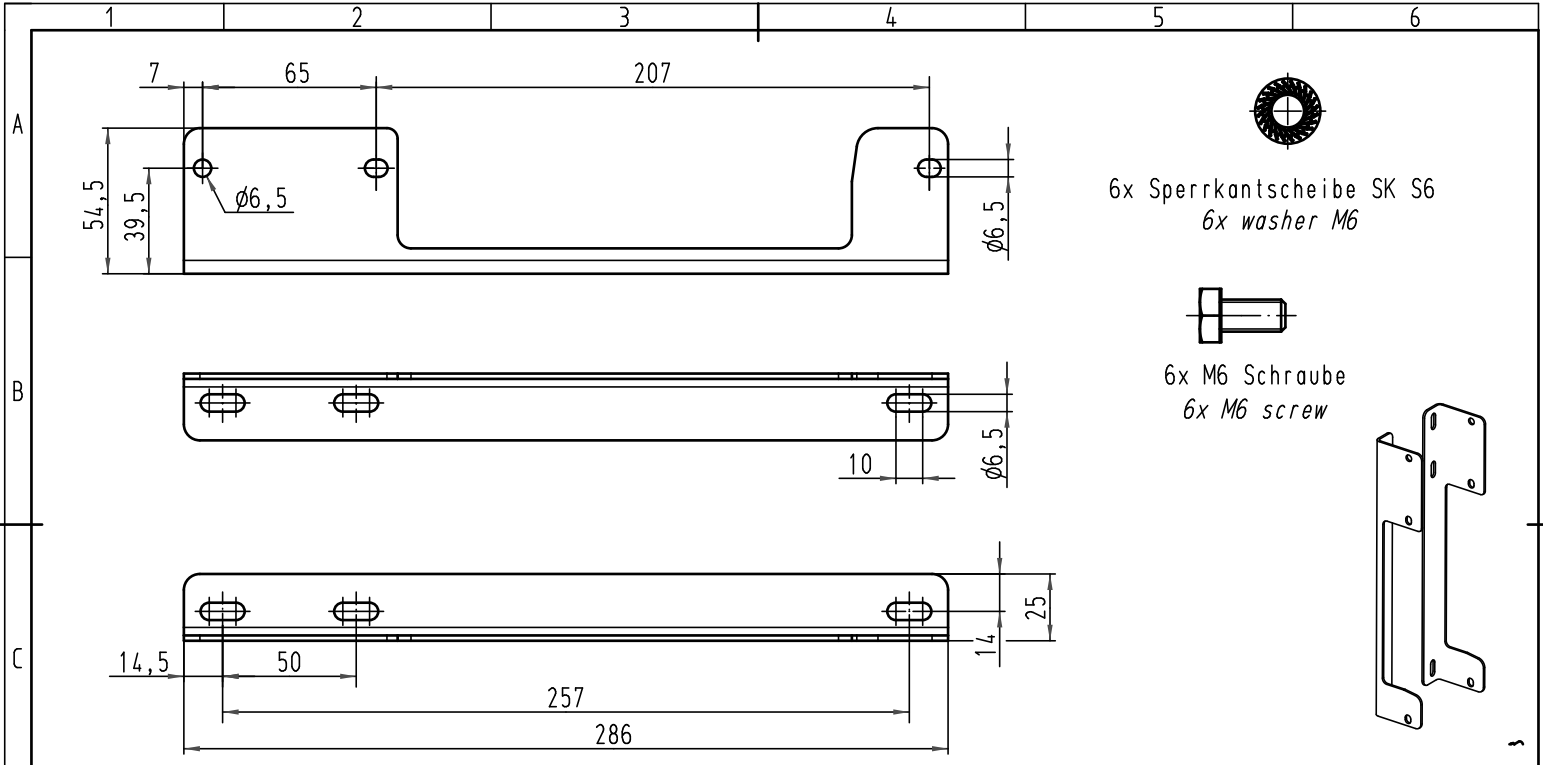
Stocking Distributor

Click to view price, real time Inventory, Delivery & Lifecycle Information:

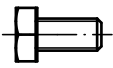
[Harting](#)
[09400009925](#)

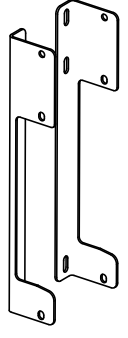
For any questions, you can email us directly:
sales@integrated-circuit.com



Alle Rechte vorbehalten/ All rights reserved




 6x Sperrkantscheibe SK S6
 6x washer M6


 6x M6 Schraube
 6x M6 screw



 All Dimensions in mm Original Size DIN A 4			Techn. Character.			Nicht tolerierte Maß/Free size tolerances	
			Mod.	Dat.	Name	Detail.	Dat.
			Insp.	28.09.10	Rull	Maßstab/Scale 1:2	
			Stand.		BS		
A Mod. Dat. Name			HARTING Electric GmbH & Co. KG D-32339 Espelkamp			 TB 09 40 000 9925 Sub.	
							Blatt/ page