



Distributor of Harting: Excellent Integrated System Limited

Datasheet of 09561517500 - D-Sub Connector Receptacle, Female Sockets 15 Position
Through Hole Solder

Contact us: sales@integrated-circuit.com Website: www.integrated-circuit.com

Excellent Integrated System Limited

Stocking Distributor

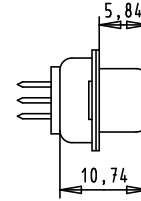
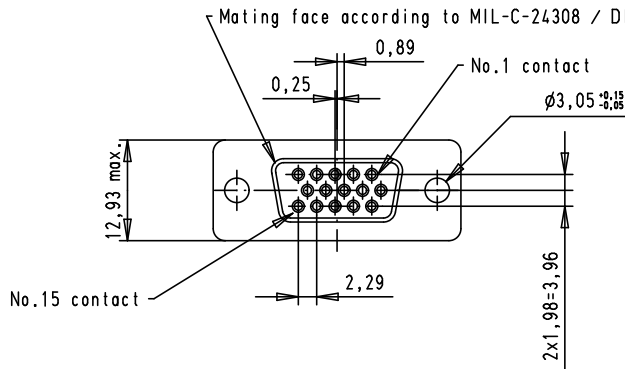
Click to view price, real time Inventory, Delivery & Lifecycle Information:

[Harting](#)

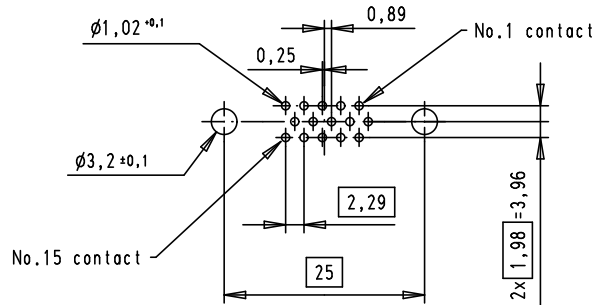
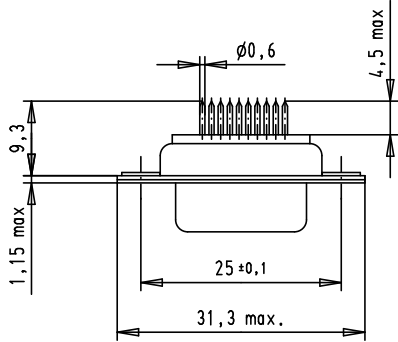
[09561517500](#)

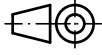

For any questions, you can email us directly:

sales@integrated-circuit.com



Printed layout component side



					Det.	Name	 All Dim. in mm Orig. Size DIN A 4	Dsub, 15 poles, female, straight solder pins, through holes	Moßstab/ Scale
					Detail.	CV			1.5:1
					Insp.			TB 0956151x500 Sub.	Blatt / Page 1 /
					Stand.				
09561515500	0.76 µm Au	36183	13-OCT-10	BH	HARTING EURL F-95972 Paris				
09561517500	3	31352	16-OCT-02	S.H.					
Part number	Performance level	Mod.	Det.	Name					