

## Excellent Integrated System Limited

Stocking Distributor

Click to view price, real time Inventory, Delivery & Lifecycle Information:

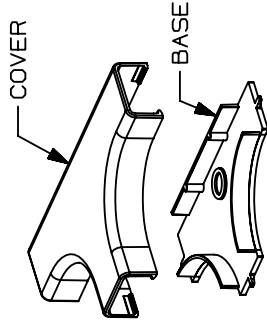
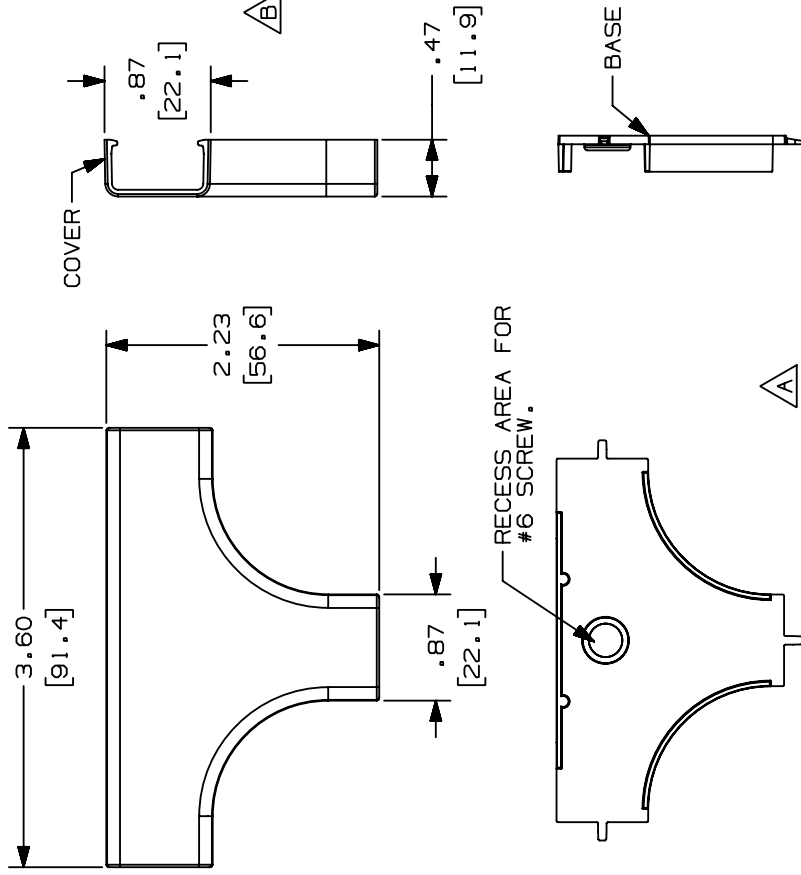
[Panduit](#)  
[TFX3EI-X](#)

For any questions, you can email us directly:  
[sales@integrated-circuit.com](mailto:sales@integrated-circuit.com)

THIS COPY IS PROVIDED ON A RESTRICTED BASIS AND IS NOT TO BE USED IN ANY WAY DETRIMENTAL TO THE INTERESTS OF PANDUIT CORP.

PANDUIT PART NO.	WEIGHT
TFX3	3.3 LB/100 PCS (1500 g/100 PCS)

- NOTES:
- SEE CURRENT CATALOG FOR ADDITIONAL PART NUMBER SUFFIXES TO INDICATE COLOR AND OR PACKAGE QUANTITY.
  - THIS PRODUCT IS INTENDED TO BE USED WITH PANDUIT TYPE LD3, LDS3 AND LDP3 RACEWAY.
  - NOMINAL WALL THICKNESSES:  
 BASE = .070(1.8)  
 COVER = .055(1.4)
  - THIS PRODUCT IS FEATURED WITH THE TIA/EIA COMPLIANT BEND RADIUS.
  - DIMENSIONS IN PARENTHESIS ARE IN METRIC.



CAD FILENAME/LAYERS		D35541BJ_LD_TFX3-02.PRT	
<b>PANDUIT</b> CORP., TINLEY PARK, ILLINOIS			
TEE FITTING BASE AND COVER (TFX3) CUSTOMER DRAWING			
UNLESS OTHERWISE SPECIFIED, DIMENSIONAL TOLERANCES ARE: (.X) ± (.XXX) ±.015 (.4) (.XX) ±.03 (.8) ANGLES ±		UNLESS OTHERWISE SPECIFIED, ALL DIMENSIONS ARE GIVEN IN INCHES, THIRD ANGLE PROJECTION.	
SCALE	NONE		
DRAWING NO.	35541-12		
SIZE	A		
UNLESS OTHERWISE SPECIFIED, DIMENSIONAL TOLERANCES ARE: (.X) ± (.XXX) ±.015 (.4) (.XX) ±.03 (.8) ANGLES ±	MATERIAL	ABS/PC	
DRAWN BY	JBA	CHECKED BY	CEF
DATE	08-08-96	CUSTOMER	SUP
REV	DATE	BY	CHK
2	03-11-04	JHEP	RGRO
1	07-06-99	DW	HIW
R	06-08-96	JBA	CEF
DESCRIPTION			
B. REMOVED CD3 FROM NOTE 2			
A. REVISED PICTURE TO SHOW 2D VIEWS			
RELEASED TO PRODUCTION			
ECN	CHK	CUST	SUP