

Excellent Integrated System Limited

Stocking Distributor

Click to view price, real time Inventory, Delivery & Lifecycle Information:

[Harting](#)

[09660009972](#)

For any questions, you can email us directly:

sales@integrated-circuit.com

Alle Rechte vorbehalten / All rights reserved

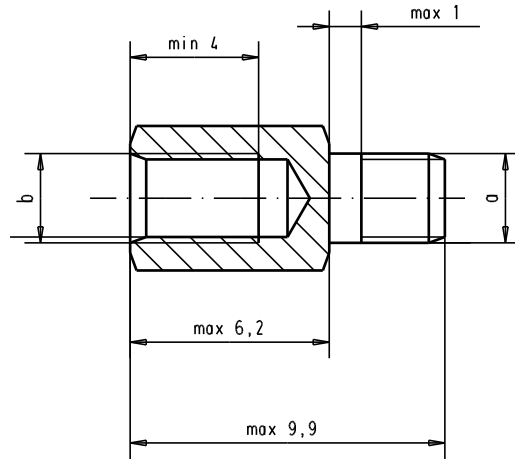
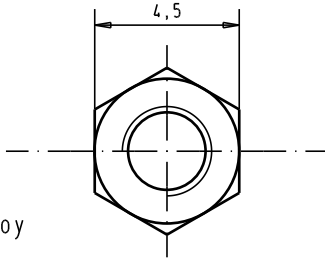
5

4

3

2

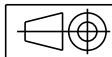
1



Material: Copper Alloy
Plating: Nickel

UNC 4-40
Screwing torque: max 0,7 Nm
Unscrewing torque: min 0,36 Nm

M3
Screwing torque: max 0,8 Nm
Unscrewing torque: min 0,5 Nm



All Dimensions in mm
Original Size DIN A 4

Techn. Character.

Free size tolerances

	Dot.	Name
Detail	04-11-99	PP
Insp.		
Stand.		

Scale

6:1

D-SUB
Screw Lock

09660009976	M3/M3	M3	M3
09660009972	4-40 UNC/4-40 UNC	4-40 UNC	4-40 UNC
09660009974	M3/4-40 UNC	M3	4-40 UNC
Part Number	Designation of Screw Lock	a	b

32116	10/06/04	JH
26551	04-11-99	PP
Mod.	Dot.	Name

HARTING EURL
F 95972 Paris



TB 0966000997x
Sub.