

Excellent Integrated System Limited

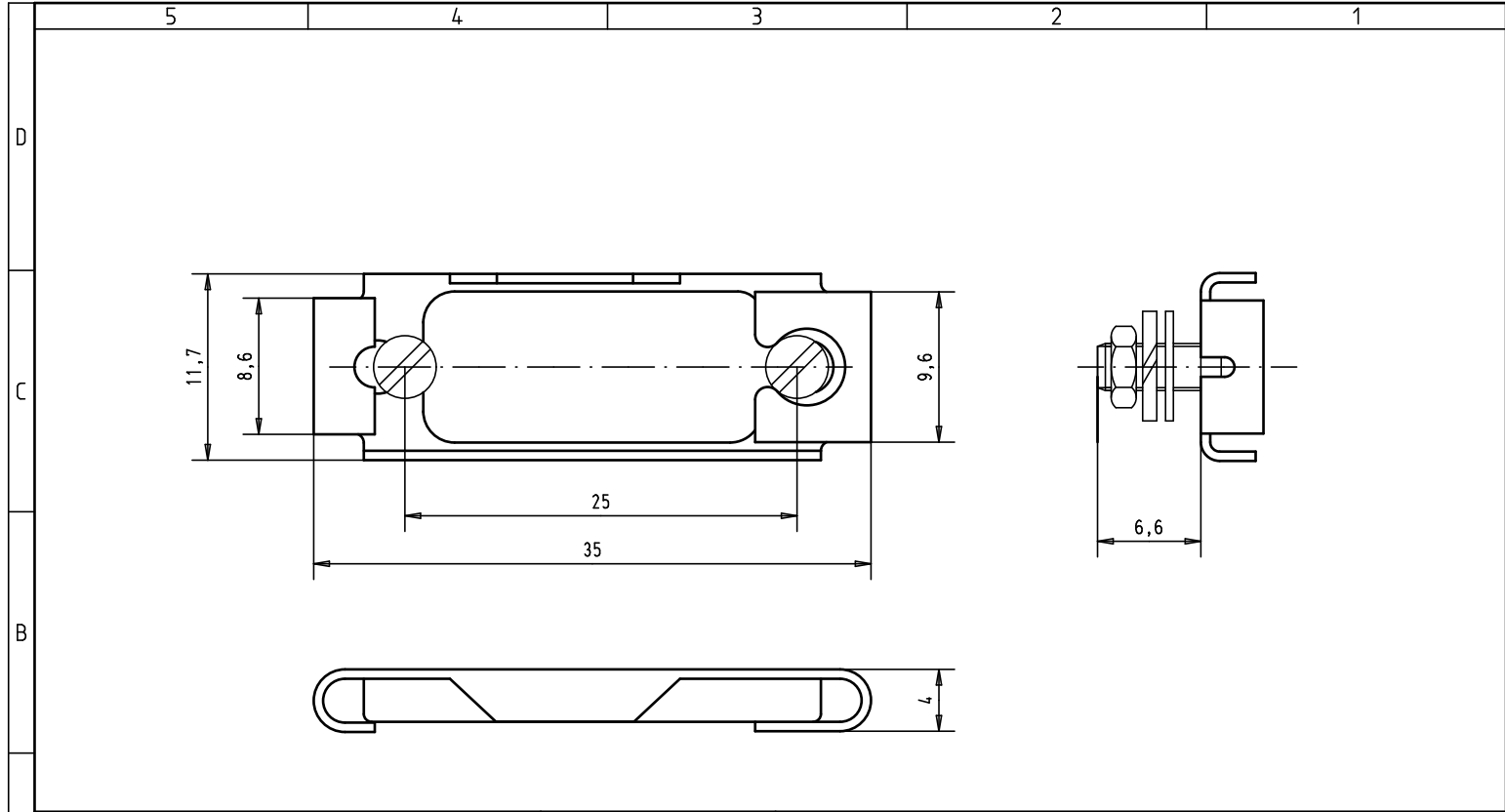
Stocking Distributor

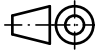

Click to view price, real time Inventory, Delivery & Lifecycle Information:

[Harting](#)
[09670009914](#)

For any questions, you can email us directly:
sales@integrated-circuit.com

Alle Rechte vorbehalten/ All rights reserved



					Det.	Name	 All Dim. in mm Orig. Size DIN A 4	Slide locking device 9 poles corrosion resistant steel	Maßstab/ Scale 3:1	
					Detail.	28-MAR-02				CV
					Insp.					
					Stand.					
					36220	22-NOV-10	SC	 TB 09 67 000 9914	Blatt/ Page 1 / 1	
					09 67 000 9914	29760	28-MAR-02			CV
					Part number	Mod.	Det.			Name
					HARTING EURL F-95972 Paris			Sub.		