

Excellent Integrated System Limited

Stocking Distributor

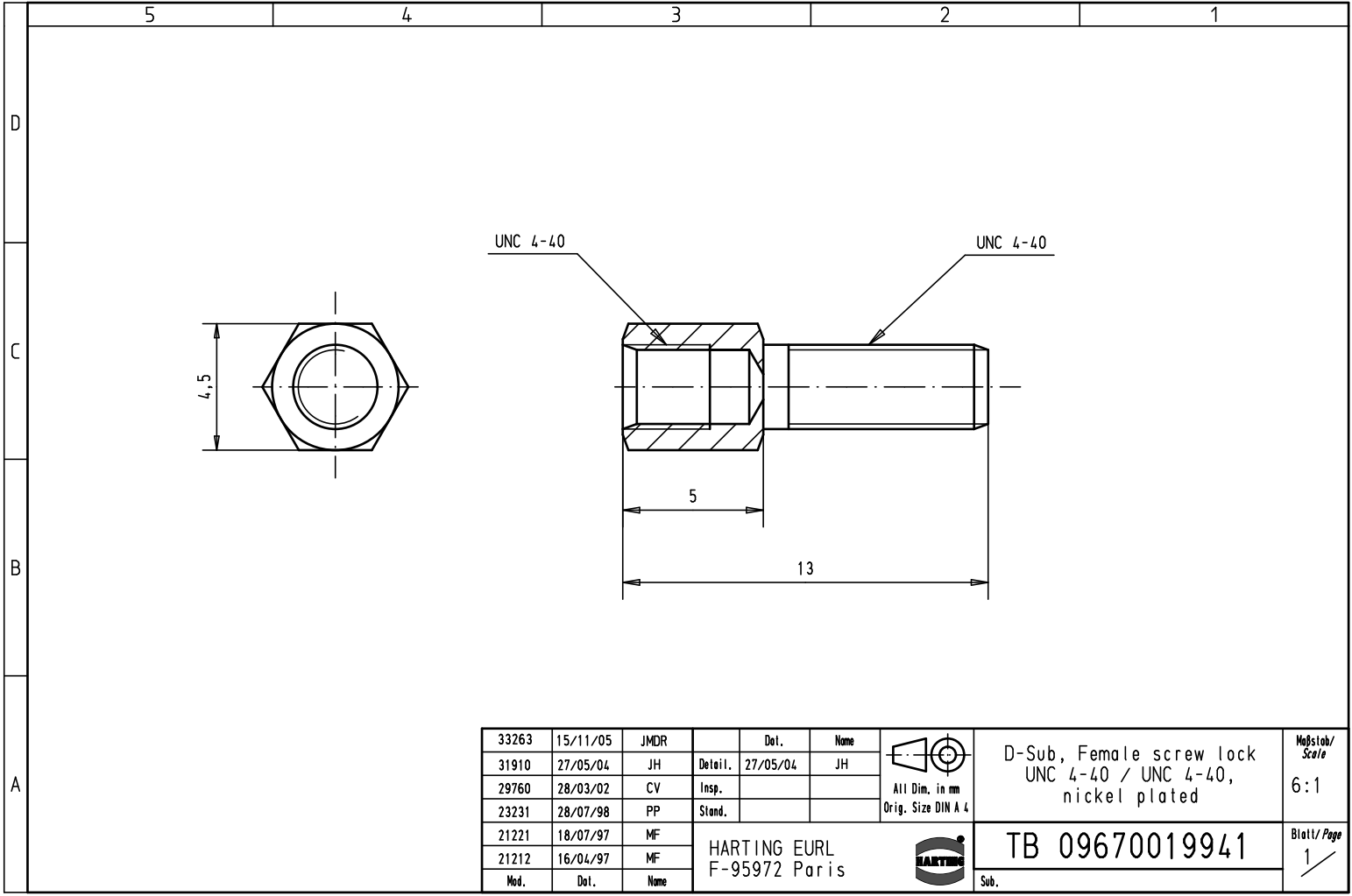
Click to view price, real time Inventory, Delivery & Lifecycle Information:

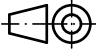

[Harting](#)

[09670019941](#)

For any questions, you can email us directly:

sales@integrated-circuit.com



33263	15/11/05	JMDR		Det.	Name	 All Dim. in mm Orig. Size DIN A 4	D-Sub, Female screw lock UNC 4-40 / UNC 4-40, nickel plated	Maßstab/ Scale 6:1
31910	27/05/04	JH	Detail.	27/05/04	JH			
29760	28/03/02	CV	Insp.					
23231	28/07/98	PP	Stand.					
21221	18/07/97	MF						
21212	16/04/97	MF	HARTING EURL F-95972 Paris				TB 09670019941	Blatt/ Page 1 /
Mod.	Del.	Name						