

Excellent Integrated System Limited

Stocking Distributor

Click to view price, real time Inventory, Delivery & Lifecycle Information:

[Harting](#)
[09670019971](#)

For any questions, you can email us directly:
sales@integrated-circuit.com

Alle Rechte vorbehalten/ All rights reserved

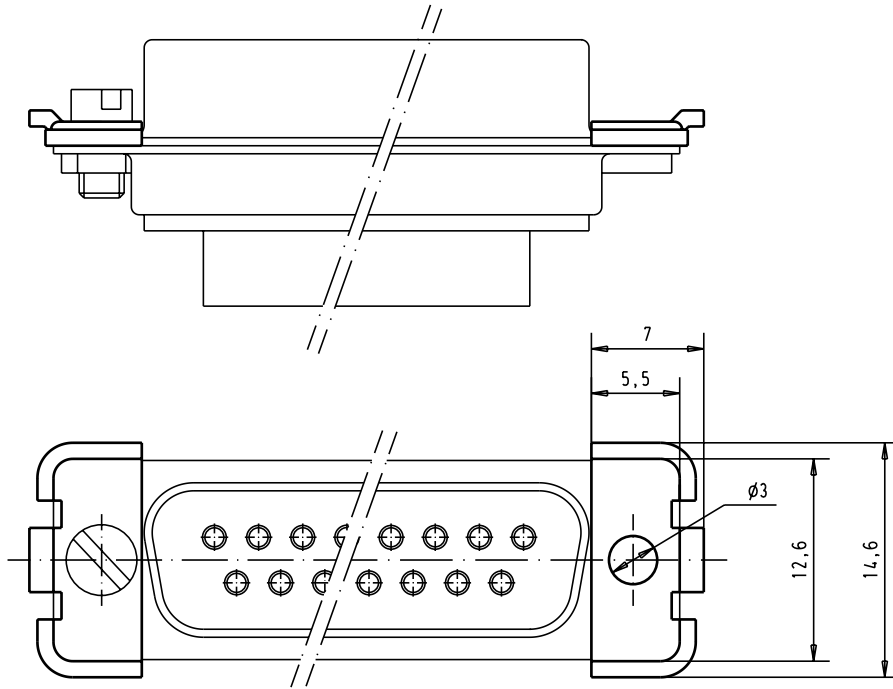
5

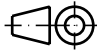

4

3

2

1



				Det.	Name	 All Dim. in mm Orig. Size DIN A 4	Fixed latch, 9-37 poles corrosion resistant steel	Maßstab/ Scale 6:1
29760	28-MAR-02	CV	Detail.	12-07-95	MF			
16445	14-08-95	MF	Insp.					
16443	26-07-95	ST	Stand.					
16441	12-07-95	MF		HARTING EURL F-95972 Paris			TB 09670019971	Blatt/ Page 1 /
Mod.	Det.	Name						