

Excellent Integrated System Limited

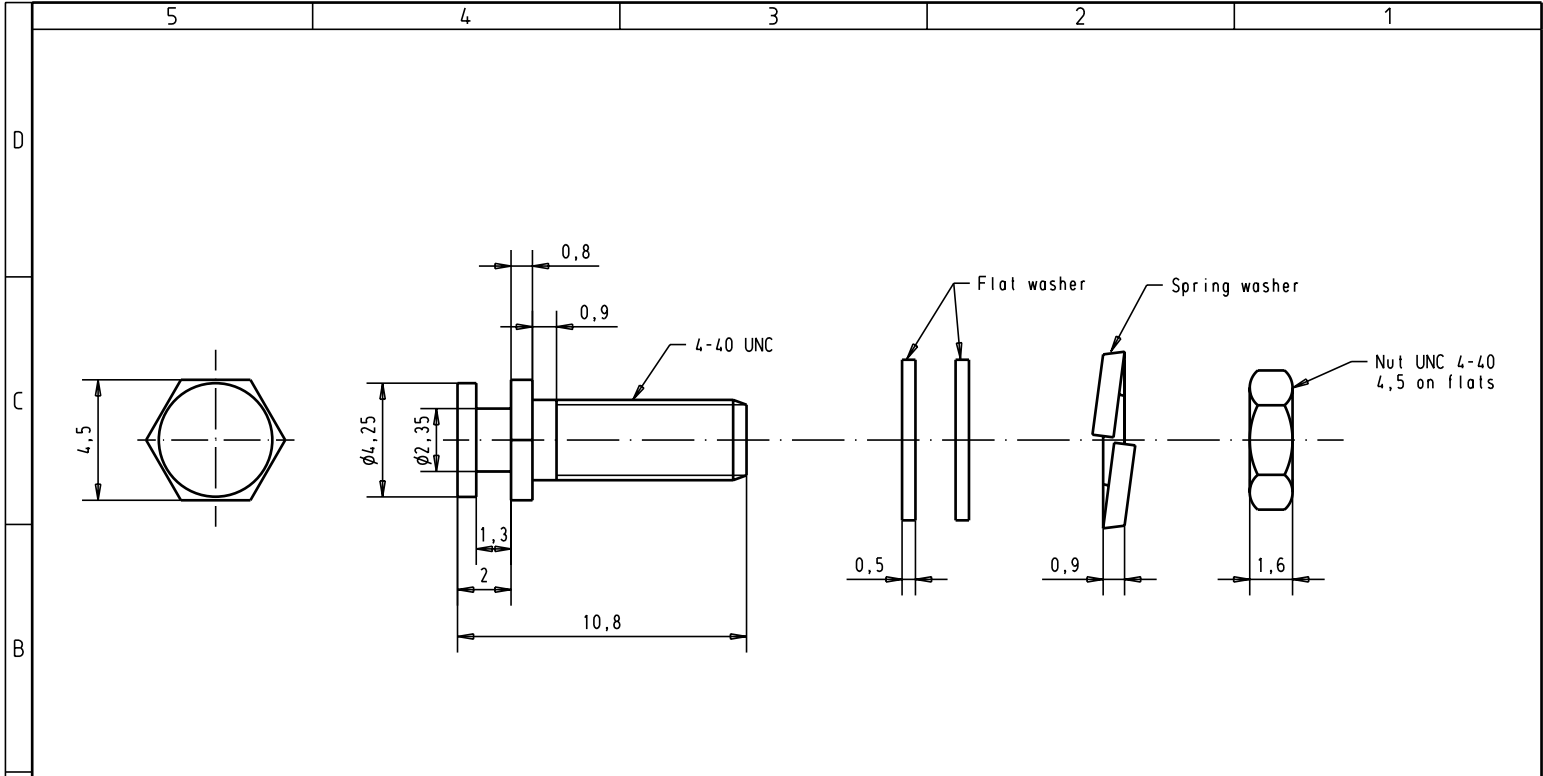
Stocking Distributor



Click to view price, real time Inventory, Delivery & Lifecycle Information:

[Harting](#)
[09670019973](#)

For any questions, you can email us directly:
sales@integrated-circuit.com

Alle Rechte vorbehalten/ All rights reserved



| | | | | | | | | | |
|---|-------|-----------|------|-------------------------------|----------|---|-------------------------------|--------------------------|------|
| A | | | | Det. | Name |  All Dim. in mm Orig. Size DIN A 4 | D-Sub, Locking bolt Tinned | Maßstab/ Scale 5:1 | |
| | | | | Detail. | 12-07-95 | | | | MF |
| | 29760 | 28-MAR-02 | CV | Insp. | | | | | |
| | 16443 | 26-07-95 | ST | Stand. | | | | | |
| | | | | HARTING EURL F-95972 Paris | |  | TB 09670019973 | Blatt/ Page 1 / | |
| | | | Mod. | Det. | Name | | | | Sub. |