

Excellent Integrated System Limited

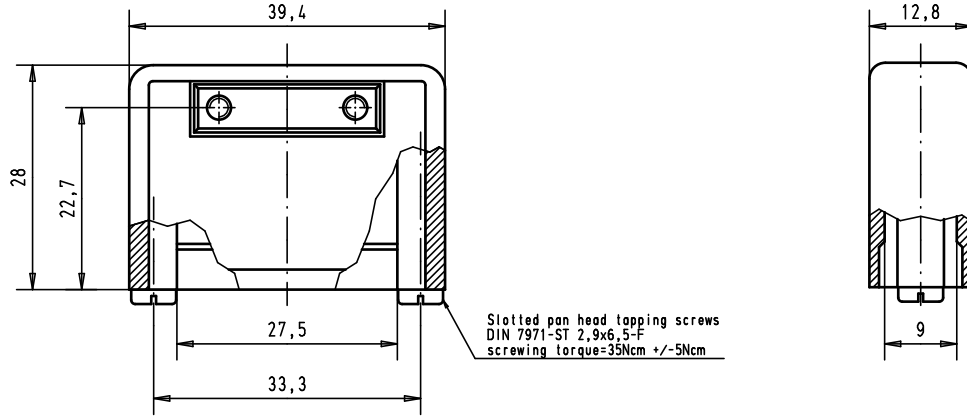
Stocking Distributor

Click to view price, real time Inventory, Delivery & Lifecycle Information:

[Harting](#)
[09670150411](#)

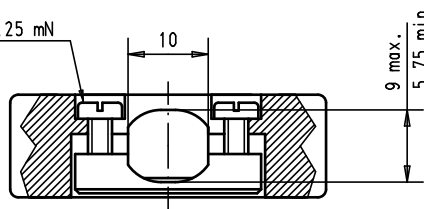
For any questions, you can email us directly:
sales@integrated-circuit.com

Alle Rechte vorbehalten/ All rights reserved



Slotted pan head tapping screws
DIN 7971-ST 2,9x6,5-F
screwing torque=35Ncm +/-5Ncm

Slotted pan head tapping screws
DIN 7971-ST 2,2x9,5-F
Maximum screwing torque=0,25 mN



D

C

B

					Det.	Name		D-Sub, Hood 15 poles, for spring or slide locking, top cable entry	Maßstab/ Scale 1.5:1	
					Detail.	28-MAR-02				CV
					Insp.	25-MAY-11				JMDV
					Stand.					
09 67 015 0413	Thermoplastic metallized	EC03223	25-MAY-11	SD	HARTING EURL F-95972 Paris			TB 0967015041x	Blatt/ Page 1/	
09 67 015 0411	Thermoplastic grey RAL 7032	29760	28-MAR-02	CV						
Part number	Material	Mod.	Del.	Name	Sub.					

