

## Excellent Integrated System Limited

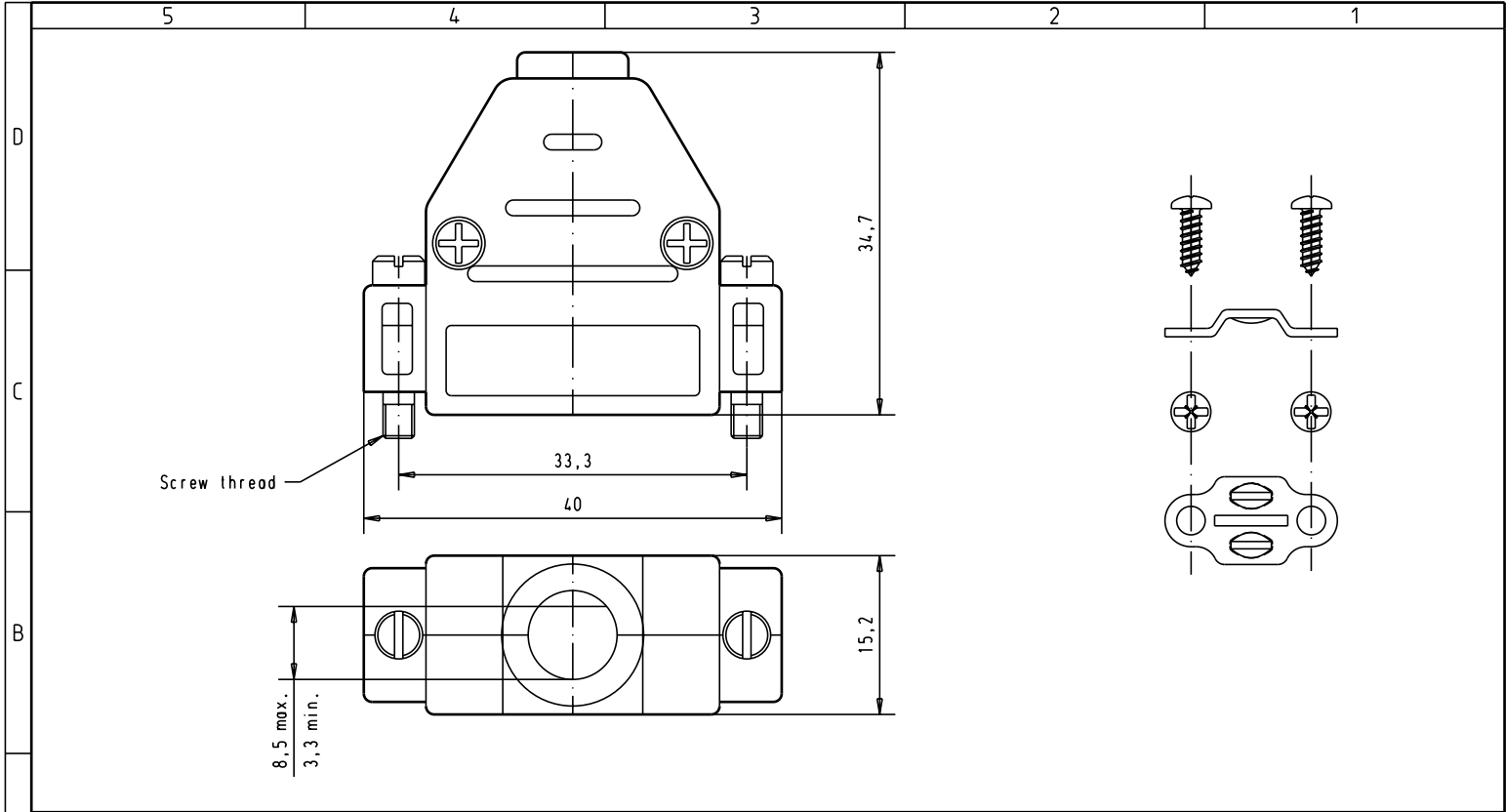
Stocking Distributor



Click to view price, real time Inventory, Delivery & Lifecycle Information:

[Harting](#)  
[09670150442](#)

For any questions, you can email us directly:  
[sales@integrated-circuit.com](mailto:sales@integrated-circuit.com)

Alle Rechte vorbehalten/ All rights reserved



					Det.	Name	 All Dim. in mm Orig. Size DIN A 4	D-Sub, thermoplastic black hood, 15 poles with short locking screws.	Maßstab/ Scale 2:1	
					Detail.	28-MAR-02				CV
					Insp.					
					Stand.					
					31085	4-SEP-02	CV		TB 0967 015 044X	
					29760	28-MAR-02	CV			Blatt/ Page 1/
09 67 015 0442		4-40 UNC			HARTING EURL		Sub.			
Part number		Screw thread			F-95972 Paris					
		Mod.			Det.		Name			