

Excellent Integrated System Limited

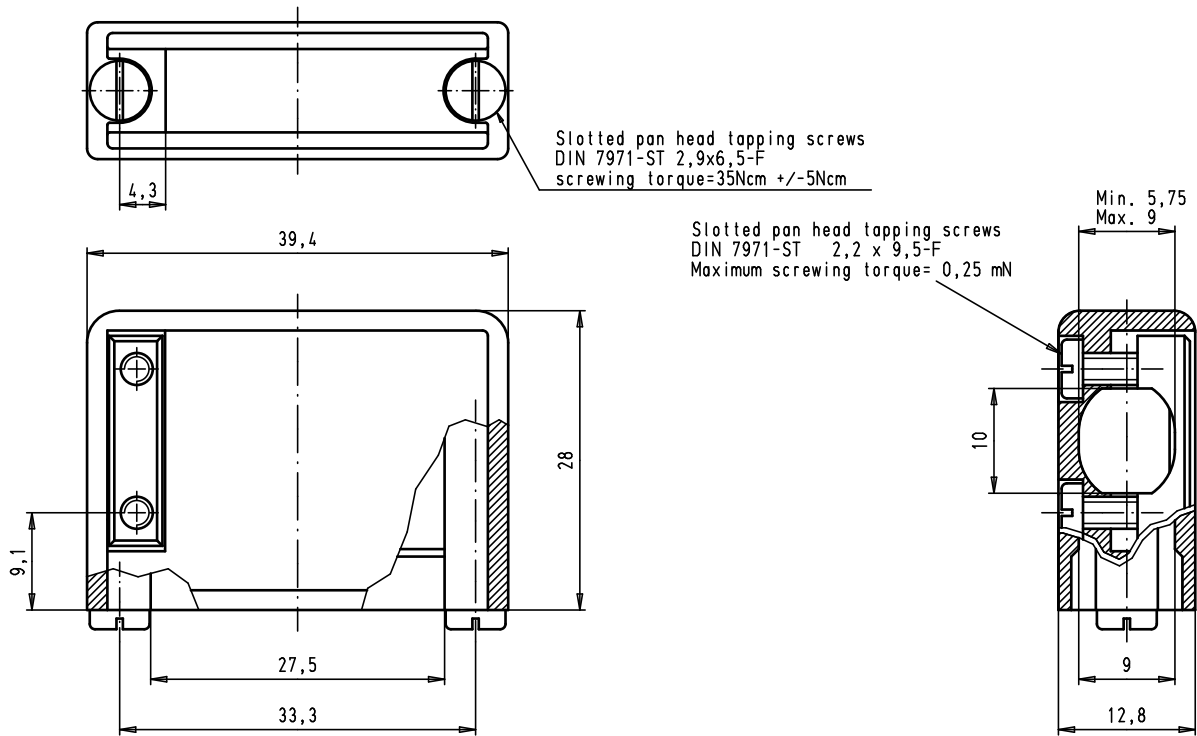
Stocking Distributor

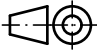

Click to view price, real time Inventory, Delivery & Lifecycle Information:

[Harting](#)
[09670150511](#)

For any questions, you can email us directly:
sales@integrated-circuit.com

Alle Rechte vorbehalten/ All rights reserved



				Det.	Name	 All Dim. in mm Orig. Size DIN A 4	D-Sub, hood 15 poles for spring or slide locking, side cable entry	Maßstab/ Scale 2:1
			Detail.	28/03/02	CV			
			Insp.	25-MAY-11	JMDV			
EC03223	25-MAY-11	SD	Stand.					
09 67 015 0513	Thermoplastic metallized							
09 67 015 0511	Thermoplastic grey RAL 7032							
Part number	Material							
34886	26/02/08	PK						
29760	28/03/02	CV						
Mod.	Det.	Name						
				HARTING EURL F-95972 Paris			TB 09 67 015 051X Sub.	Blatt/ Page 1 / 1