

Excellent Integrated System Limited

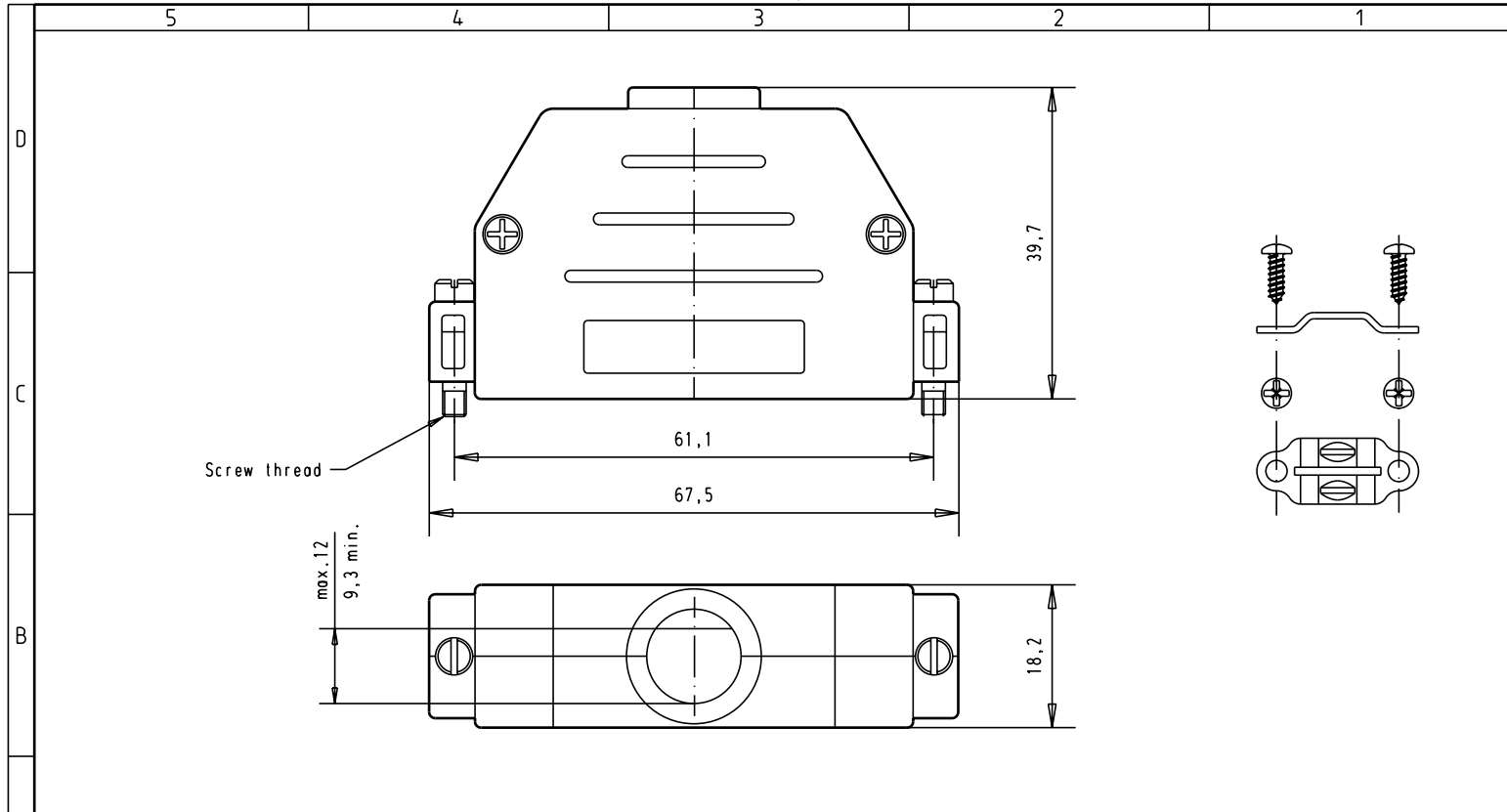
Stocking Distributor

Click to view price, real time Inventory, Delivery & Lifecycle Information:

[Harting](#)
[09670500442](#)

For any questions, you can email us directly:
sales@integrated-circuit.com

Alle Rechte vorbehalten/ All rights reserved



					Det.	Name	 All Dim. in mm Orig. Size DIN A 4	D-Sub, thermoplastic black hood, 50 poles with short locking screws.	Moßstab/ Scale	
					Detail.	28-MAR-02			CV	1.5:1
					Insp.					
					Stand.					
					31085	4-SEP-02	CV		TB 0967 050 044X	
					29760	28-MAR-02	CV			HARTING EURL F-95972 Paris
					Mod.	Det.	Name			Sub.
09 67 050 0442		4-40 UNC								Blatt/ Page 1/
Part number		Screw thread								