

Excellent Integrated System Limited

Stocking Distributor

Click to view price, real time Inventory, Delivery & Lifecycle Information:

[Harting](#)
[09691815140](#)

For any questions, you can email us directly:
sales@integrated-circuit.com

Alle Rechte vorbehalten! All rights reserved

5

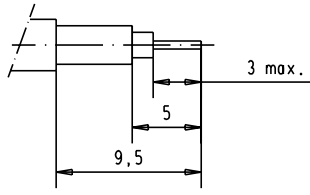
4

3

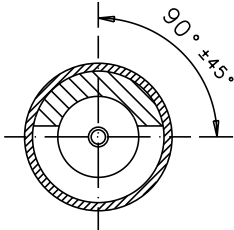
2

1

Harnessing dimensions for cables RG174U BU, RG188AU, RG316U

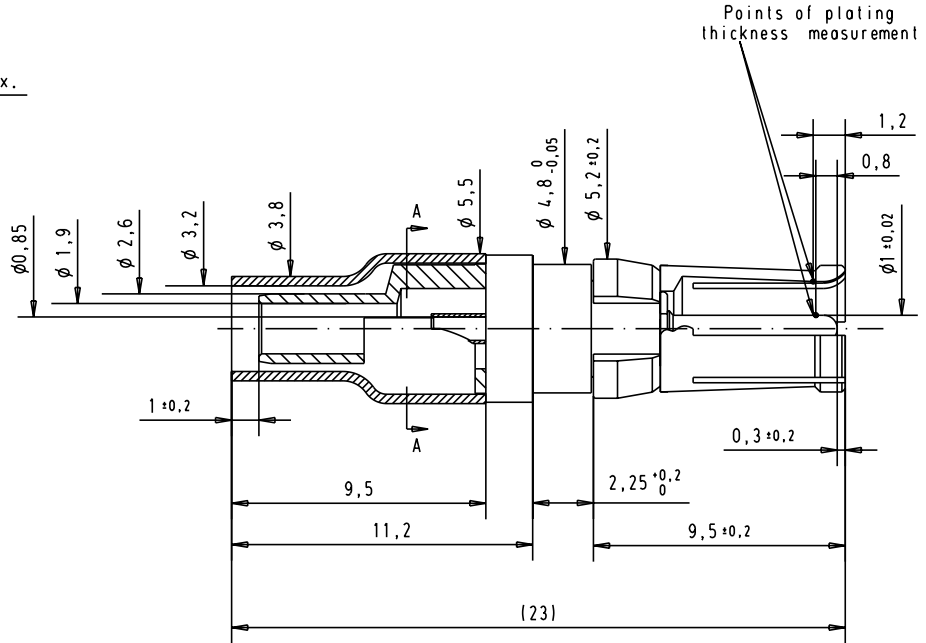


Scale 3:1



A - A

Solder pot position



Crimping tool of outer conductor:
 hand tool: 09 99 000 0503 00
 die: 09 99 000 0508 00

							Del.	None	 All Dim. in mm Orig. Size DIN A 4	Female coaxial contact, 50 Ohms straight cable termination inner conductor for solder termination, outer conductor for solder or crimp termination	Maßstab/ Scale
							Detail.	CV			5:1
A	09691817140	Mating area	0,2 µm Au	0,2 µm Au			Insp.		 TB 09 69 181 x140	Blatt / Page 1 / 1	
		Termination area	5 µm Sn	0,2 µm Au			Stand.				
	09691815140	Mating area	0,8 µm Au	1,3 µm Au							
		Termination area	0,2 µm Au	1,3 µm Au	31057	21-JUN-02	CV	HARTING EURL F-95972 Paris			
	Part number	Plating	outer conductor	inner conductor	Mod.	Del.	None				