

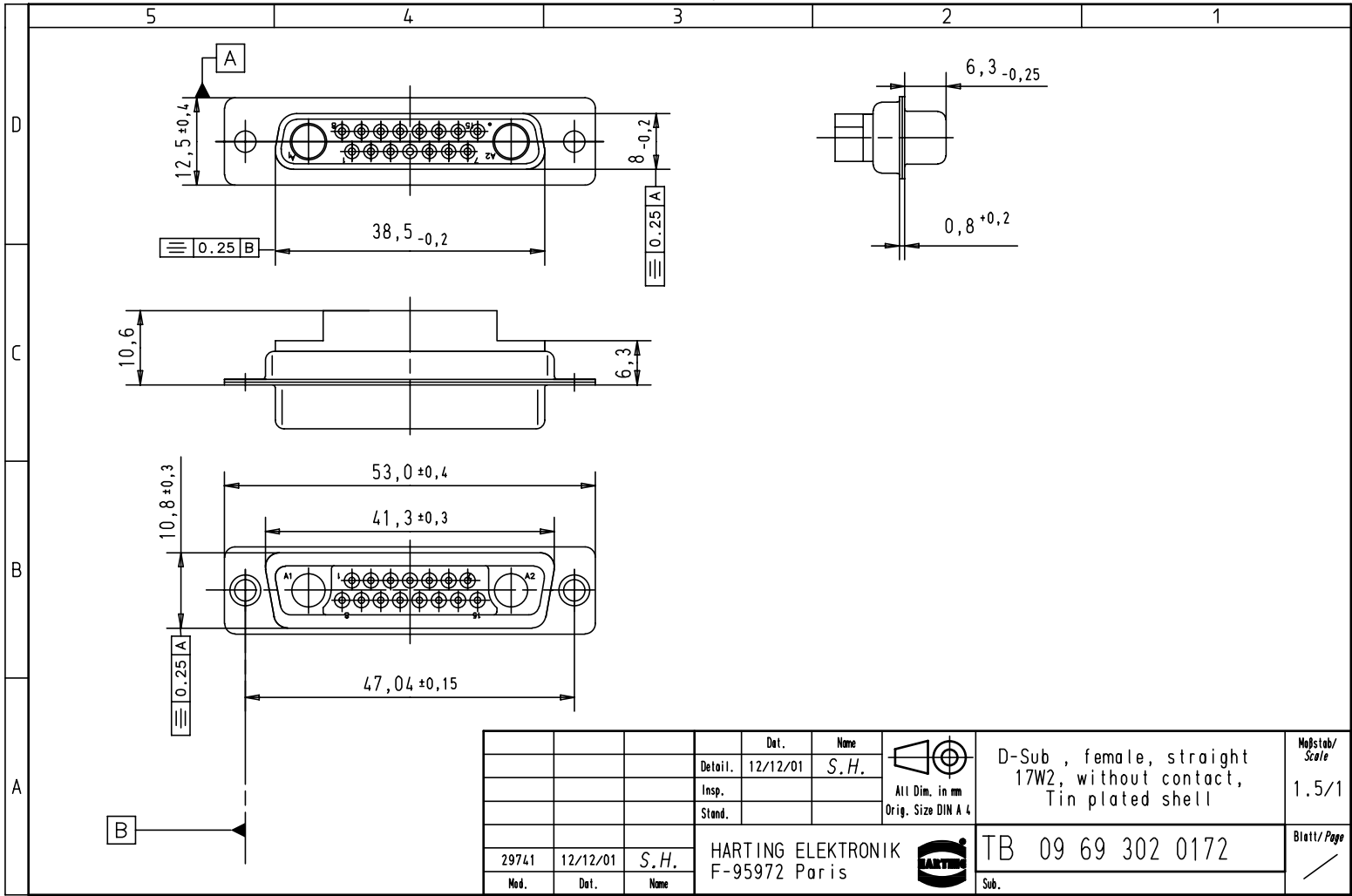
## Excellent Integrated System Limited


Stocking Distributor

Click to view price, real time Inventory, Delivery & Lifecycle Information:

[Harting](#)  
[09693020172](#)

For any questions, you can email us directly:  
[sales@integrated-circuit.com](mailto:sales@integrated-circuit.com)



				Det.	Name	 All Dim. in mm Orig. Size DIN A 4	D-Sub , female, straight 17W2, without contact, Tin plated shell	Maßstab/ Scale  1.5/1
			Detail.	12/12/01	S.H.			
			Insp.					
				Stand.				
	29741	12/12/01	S.H.	HARTING ELEKTRONIK F-95972 Paris			TB 09 69 302 0172 Sub.	Blatt/ Page /
	Mod.	Det.	Name	