

Excellent Integrated System Limited

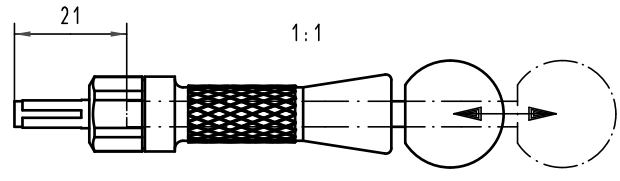
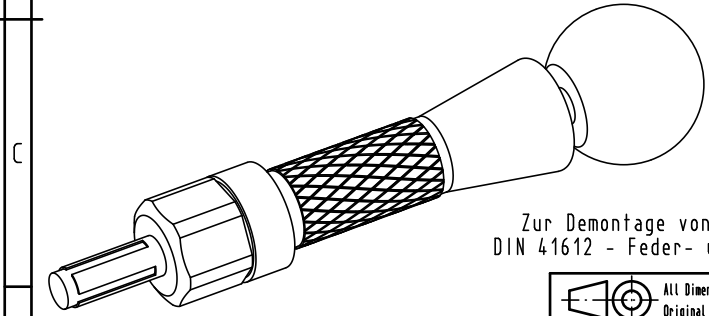
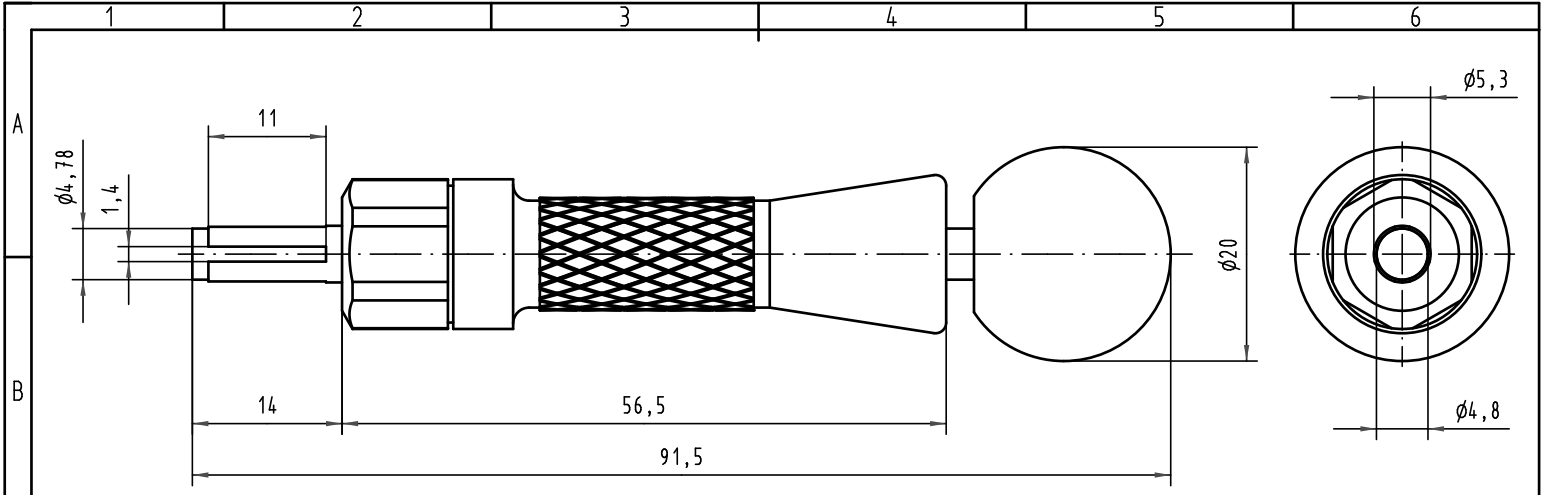
Stocking Distributor

Click to view price, real time Inventory, Delivery & Lifecycle Information:

[Harting](#)
[09990000174](#)

For any questions, you can email us directly:
sales@integrated-circuit.com

Alle Rechte vorbehalten/ All rights reserved



Zur Demontage von Sonderkontakten aus
 DIN 41612 - Feder- und Messerleisten Typ M

for removal of special contacts from
 DIN 41612 - Female and male connectors type M

All Dimensions in mm Original Size DIN A 4			Techn. Character.			Nicht tolerierte Maß/Free size tolerances					
						Demontagewerkzeug <i>Removal tool</i>					
									Maßstab/Scale 2 : 1 1 : 1		
35972			HARTING Electronics GmbH & Co. KG D-32339 ESPELKAMP			TB 09 99 000 0174			Blatt/ page /		
Mod.	Dat.	Name				Sub.					