

Excellent Integrated System Limited

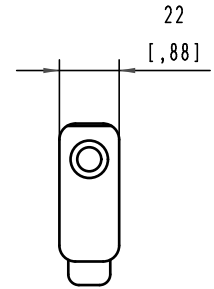
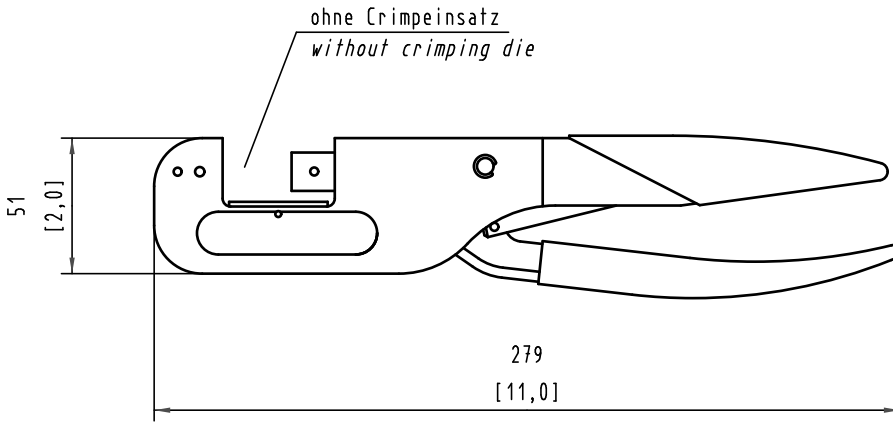
Stocking Distributor

Click to view price, real time Inventory, Delivery & Lifecycle Information:



[Harting](#)
[09990000503](#)

For any questions, you can email us directly:
sales@integrated-circuit.com

Alle Rechte vorbehalten/ All rights reserved



für Koaxialkontakt - Außenleiter
for coaxial contact outer ferrule

 All Dimensions in mm Original Size DIN A 4			Techn. Character.			Nicht tolerierte Maß/Free size tolerances	
						1:2	D-Sub-M - Handcrimpzange D-Sub-M - Hand crimp tool
			Detail.	15.10.09	Wae		
			Insp.	16.10.09	Hä		
			Stand.				
35934			HARTING Electronics GmbH & Co. KG				TB 09 99 000 0503
Mod.	Dat.	Name	D-32339 ESPELKAMP				
						Sub.	