

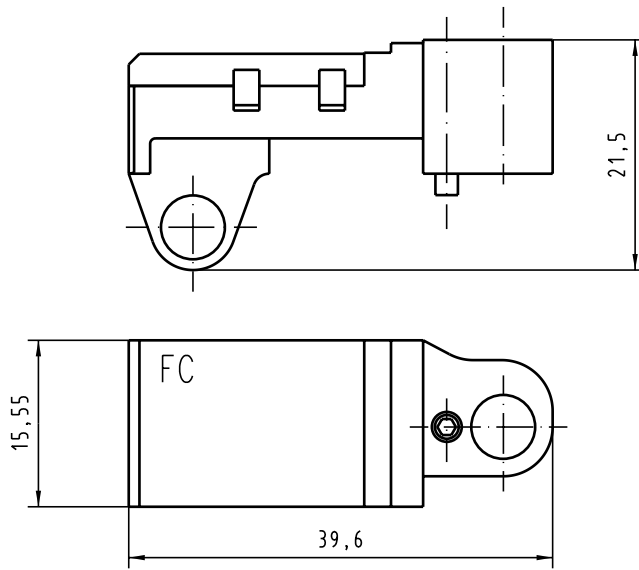
## Excellent Integrated System Limited

Stocking Distributor

Click to view price, real time Inventory, Delivery & Lifecycle Information:



[Harting](#)  
[09990000631](#)

For any questions, you can email us directly:  
[sales@integrated-circuit.com](mailto:sales@integrated-circuit.com)



Positionierer FC enthalten im Crimp-Set:  
09 99 000 0621  
09 99 000 0622  
09 99 000 0623

Locator FC scope of delivery of Crimp-Set:  
09 99 000 0621  
09 99 000 0622  
09 99 000 0623

 All Dimensions in mm Original Size DIN A 4			Techn. Character.			Nicht lotierte Maß/Free size tolerances		
				Dat.	Name	Maßstab/Scale		Positionierer FC Locator FC
			Detail.	25.10.02	Hage.	2:1		
			Insp.	25.10.02	Wae.			
			Stand.					
31239			HARTING Electronics GmbH & Co. KG			 TB 09 99 000 0631		Blatt/ page /
Mod.	Dat.	Name	D-32339 ESPELKAMP					