

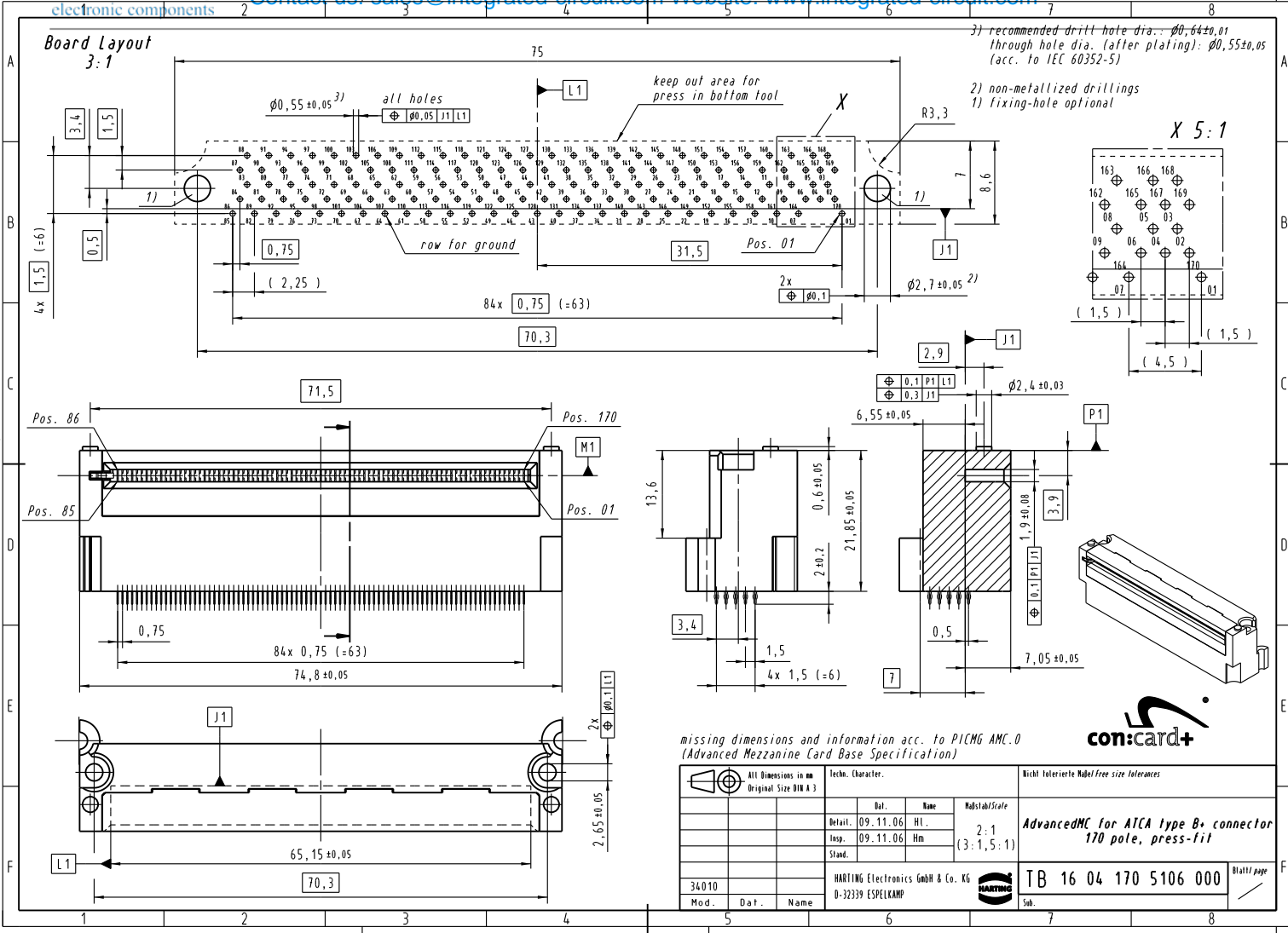
Excellent Integrated System Limited

Stocking Distributor

Click to view price, real time Inventory, Delivery & Lifecycle Information:

[Harting](#)
[16041705106000](#)

For any questions, you can email us directly:
sales@integrated-circuit.com



3) recommended drill hole dia.: $\varnothing 0,64 \pm 0,01$
 through hole dia. (after plating): $\varnothing 0,55 \pm 0,05$
 (acc. to IEC 60352-5)

2) non-metallized drillings
 1) fixing-hole optional

X 5:1

missing dimensions and information acc. to PICMG AMC.0
 (Advanced Mezzanine Card Base Specification)

All Dimensions in mm Original Size DIN A 3				Techn. Character.		Nicht tolerierte Maß/ free size tolerances	
Mod.	Dat.	Name	Bit.	Name	Maßstab/Scale	AdvancedMC for ATCA type B+ connector 170 pole, press-fit	
34010			Defalt: 09.11.06	HL	2:1		
			Resp: 09.11.06	Hm	(3:1,5:1)		
			Stand:				
			HARTING Electronics GmbH & Co. KG			TB 16 04 170 5106 000	
			D-32339 ESPELKAMP			Blatt/ page	
						500	



Alle Rechte vorbehalten. Alle rights reserved