

## Excellent Integrated System Limited

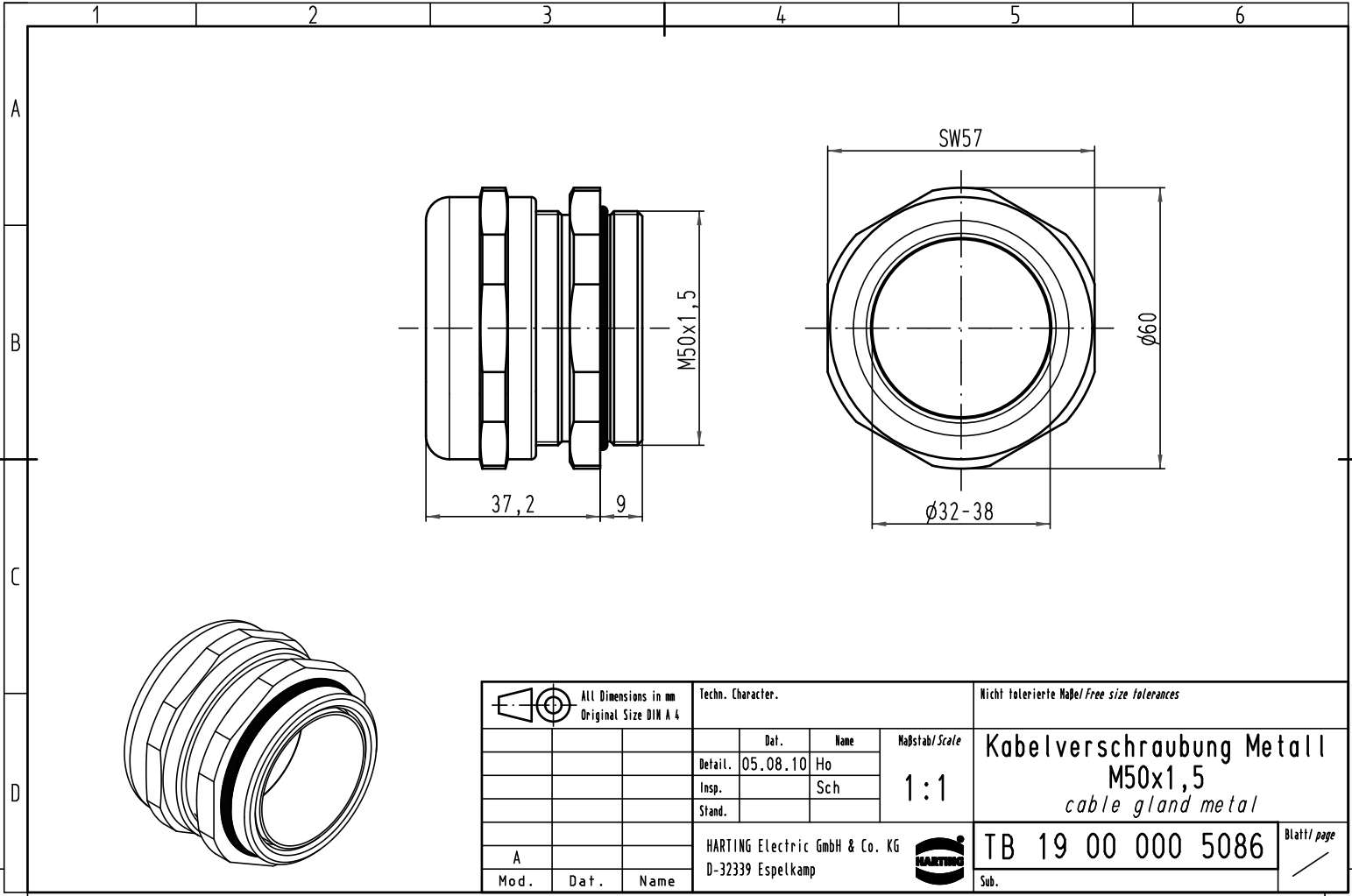
Stocking Distributor

Click to view price, real time Inventory, Delivery & Lifecycle Information:

[Harting](#)  
[19000005086](#)

For any questions, you can email us directly:  
[sales@integrated-circuit.com](mailto:sales@integrated-circuit.com)

Alle Rechte vorbehalten/ All rights reserved



			Techn. Character.			Nicht tolerierte Maß/Free size tolerances			
			Dat. 05.08.10	Name Ho	Maßstab/Scale 1:1	Kabelverschraubung Metall M50x1,5 cable gland metal			
			Insp.	Sch					
			Stand.						
A			HARTING Electric GmbH & Co. KG D-32339 Espelkamp				TB 19 00 000 5086		Blatt/ page
Mod.	Dat.	Name					Sub.		