

## Excellent Integrated System Limited

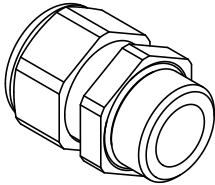
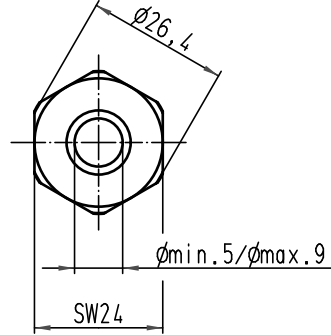
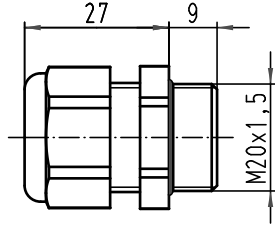
Stocking Distributor



Click to view price, real time Inventory, Delivery & Lifecycle Information:

[Harting](#)  
[19000005180](#)

For any questions, you can email us directly:  
[sales@integrated-circuit.com](mailto:sales@integrated-circuit.com)

Alle Rechte vorbehalten/ All rights reserved



 All Dimensions in mm Original Size DIN A 4			Techn. Character.			Nicht tolerierte Maß/Free size tolerances			
						<b>Kabelverschraubung Kunststoff</b> <b>M20x1.5</b> <i>cable gland plastic</i>			
			Detail.	18.05.10	VF				<b>1:1</b>
			Insp.		Sch				
			Stand.						
A			HARTING Electric GmbH & Co. KG			<b>TB 19 00 000 5180</b>		Blatt/ page	
Mod.	Dat.	Name	D-32339 Espelkamp					Sub. TB 19 00 000 5180. v. 21.02.06	