

Excellent Integrated System Limited

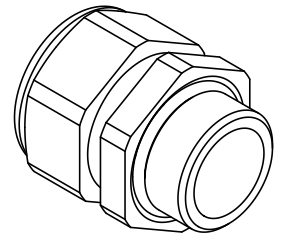
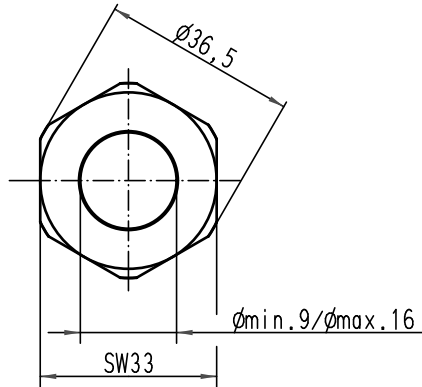
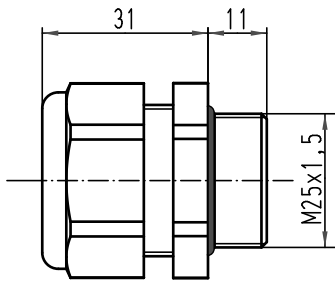
Stocking Distributor



Click to view price, real time Inventory, Delivery & Lifecycle Information:

[Harting](#)
[19000005190](#)

For any questions, you can email us directly:
sales@integrated-circuit.com

Alle Rechte vorbehalten/ All rights reserved



 All Dimensions in mm Original Size DIN A 4			Techn. Character.			Nicht tolerierte Maß/Free size tolerances			
				Dat.	Name	Maßstab/Scale 1:1	Kabelverschraubung Kunststoff M25x1,5 <i>cable gland plastic</i>		
			Detail.	18.05.10	VF				
			Insp.		Sch				
			Stand.						
A			HARTING Electric GmbH & Co. KG				TB 19 00 000 5190		Blatt/ page
Mod.	Dat.	Name	D-32339 Espelkamp				Sub. TB 19 00 000 5190 v. 21.02.06		