

Excellent Integrated System Limited

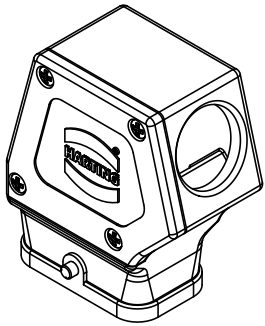
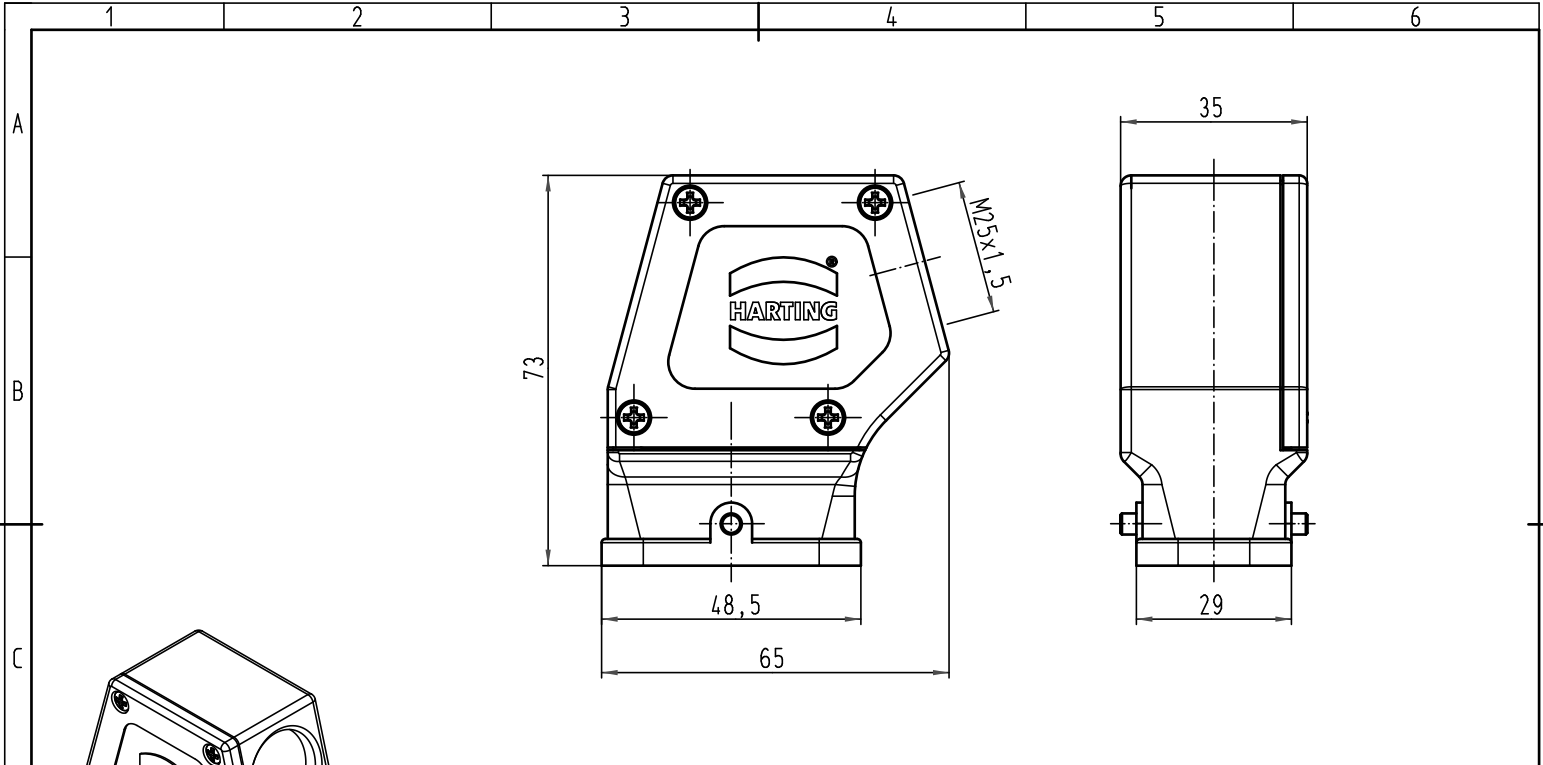
Stocking Distributor

Click to view price, real time Inventory, Delivery & Lifecycle Information:

[Harting](#)
[19120080528](#)

For any questions, you can email us directly:
sales@integrated-circuit.com

Alle Rechte vorbehalten/ All rights reserved



			Techn. Character.			Nicht tolerierte Maß/Free size tolerances			
						Han Compact-gs-M25 Gehäuse hohe Bauform-Metall-vernickelt hood high construction-metel-nickel plated			
			Detail.	06.04.10	ML				Maßstab/Scale 1:1
			Insp.		Sch				
			Stand.						
A			HARTING Electric GmbH & Co. KG D-32339 Espelkamp					TB 19 12 008 0528 Sub. f. TB 19 12 008 0528 v. 13.04.07	
Mod.	Dat.	Name						Blatt/ page /	