

## Excellent Integrated System Limited

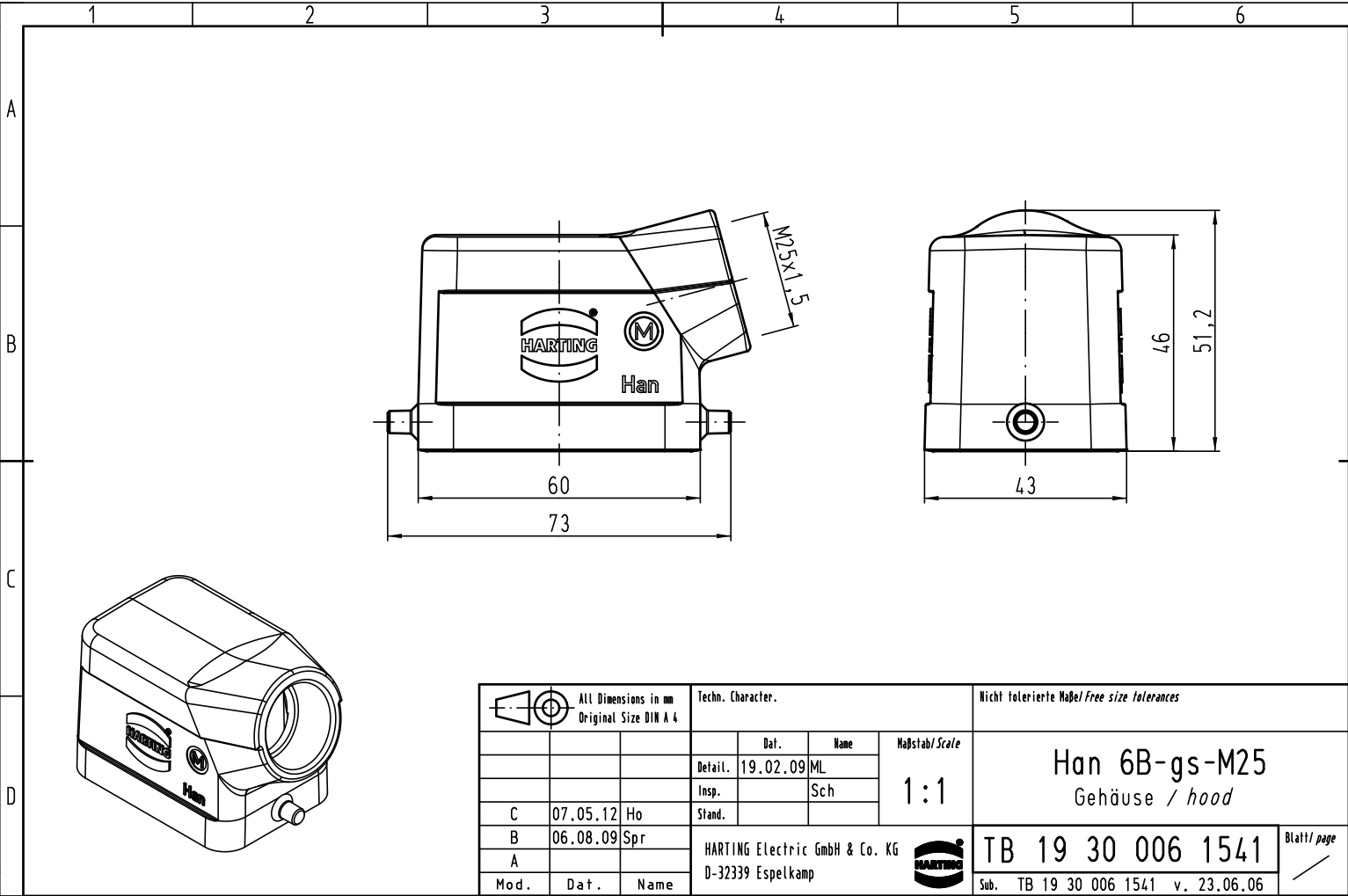
Stocking Distributor

Click to view price, real time Inventory, Delivery & Lifecycle Information:

[Harting](#)  
[19300061541](#)

For any questions, you can email us directly:  
[sales@integrated-circuit.com](mailto:sales@integrated-circuit.com)

Alle Rechte vorbehalten/ All rights reserved



All Dimensions in mm Original Size DIN A 4			Techn. Character.			Nicht tolerierte Maß/Free size tolerances		
			Dat. 19.02.09	Name ML	Maßstab/Scale 1:1	<b>Han 6B-gs-M25</b> Gehäuse / hood		
			Insp. Sch					
C	07.05.12	Ho	Stand.					
B	06.08.09	Spr	HARTING Electric GmbH & Co. KG D-32339 Espelkamp			<b>TB 19 30 006 1541</b>		
A								
Mod.	Dat.	Name						
						Sub. TB 19 30 006 1541 v. 23.06.06		

Blatt/ page