

Excellent Integrated System Limited

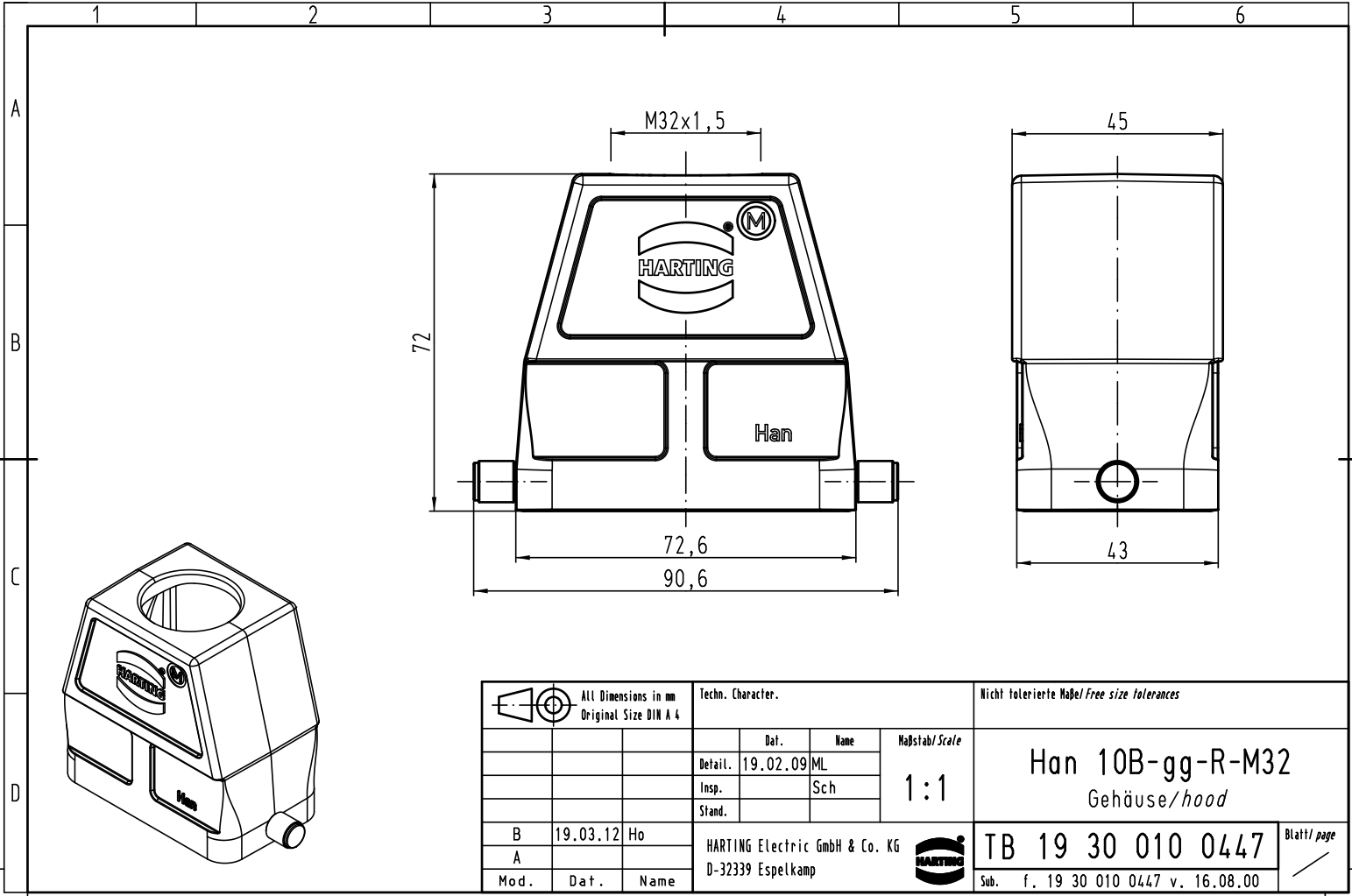
Stocking Distributor

Click to view price, real time Inventory, Delivery & Lifecycle Information:

[Harting](#)
[19300100447](#)

For any questions, you can email us directly:
sales@integrated-circuit.com

Alle Rechte vorbehalten/ All rights reserved



All Dimensions in mm Original Size DIN A 4			Techn. Character.			Nicht tolerierte Maß/Free size tolerances		
				Detail.	19.02.09	ML	1:1	Han 10B-gg-R-M32 Gehäuse/hood
			Insp.			Sch		
			Stand.					
B	19.03.12	Ho	HARTING Electric GmbH & Co. KG				TB 19 30 010 0447	Blatt/ page
A			D-32339 Espelkamp					
Mod.	Dat.	Name					Sub. f. 19 30 010 0447 v. 16.08.00	