

## Excellent Integrated System Limited

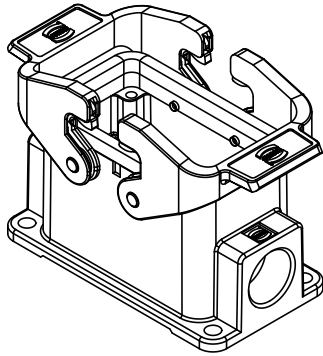
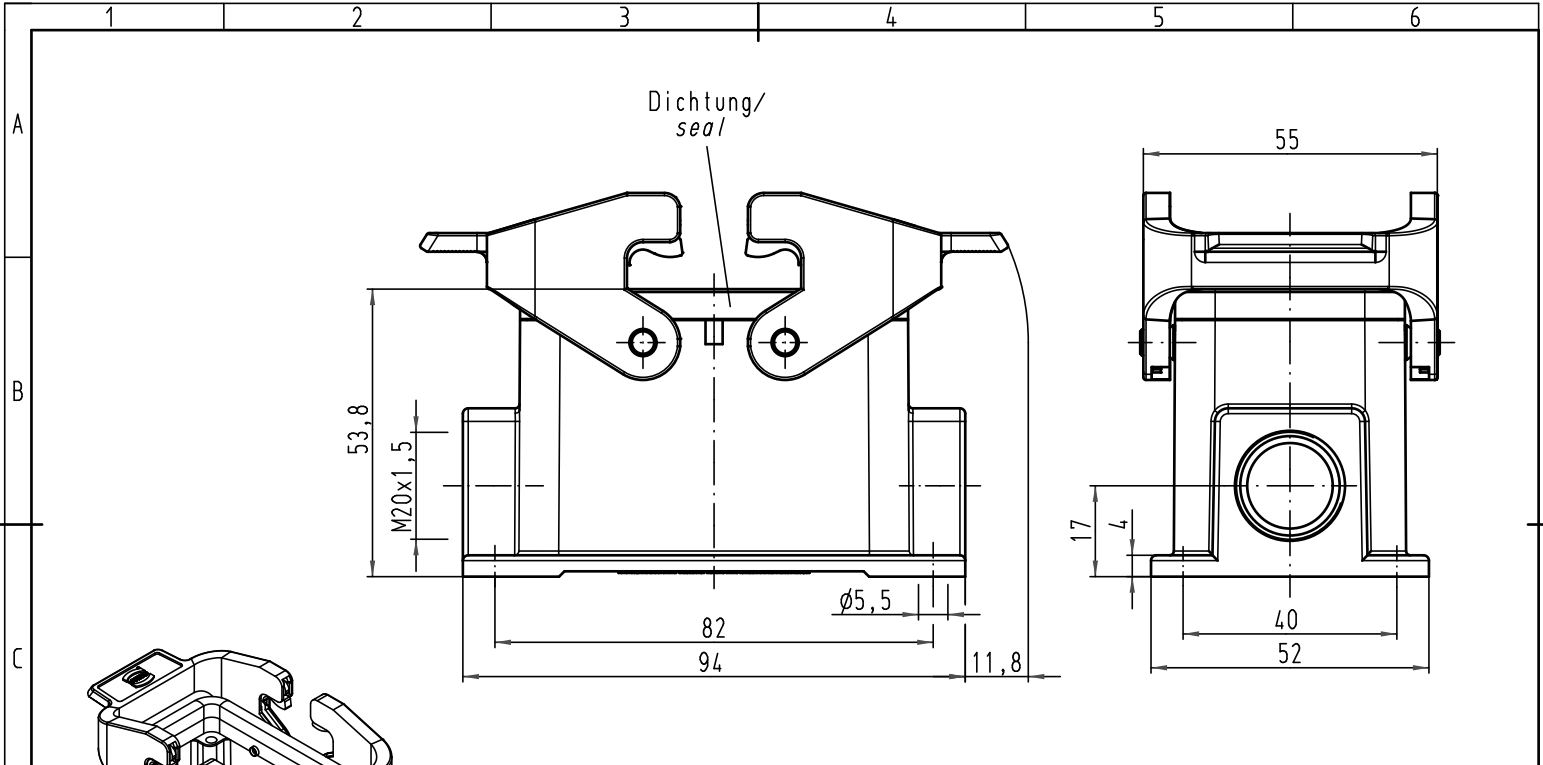
Stocking Distributor



Click to view price, real time Inventory, Delivery & Lifecycle Information:

[Harting](#)  
[19300101230](#)

For any questions, you can email us directly:  
[sales@integrated-circuit.com](mailto:sales@integrated-circuit.com)

Alle Rechte vorbehalten/ All rights reserved



 All Dimensions in mm Original Size DIN A 4			Techn. Character.			Nicht tolerierte Maß/Free size tolerances			
Mod.	Dat.	Name	Detail.	Dat.	Name	Maßstab/Scale	<b>Han 10B-asg1-QB-M20</b> Sockelgehäuse/ housing surface mounting		
			Insp.	20.04.09	ML			1:1	<b>TB 19 30 010 1230</b> Sub. f. 19 30 010 1230 v. 16.11.00
B	30.04.09	Ho	Stand.		Sch				
A									
HARTING Electric GmbH & Co. KG D-32339 Espelkamp							Blatt/ page		