

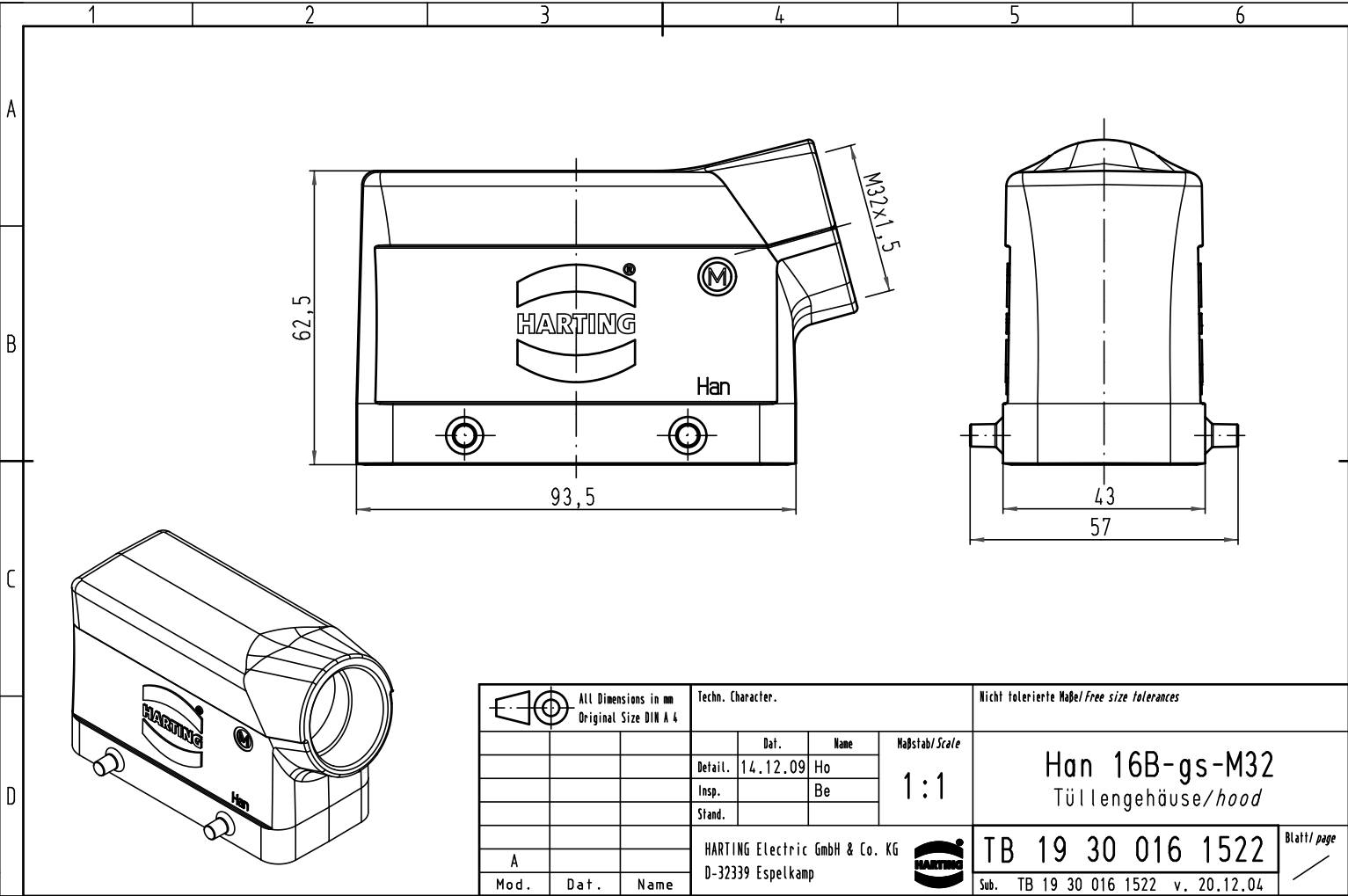
Excellent Integrated System Limited

Stocking Distributor

Click to view price, real time Inventory, Delivery & Lifecycle Information:

[Harting](#)
[19300161522](#)

For any questions, you can email us directly:
sales@integrated-circuit.com



All Dimensions in mm Original Size DIN A 4			Techn. Character.			Nicht tolerierte Maß/Free size tolerances																
				<table border="1"> <tr> <th>Detail.</th> <th>Dat.</th> <th>Name</th> </tr> <tr> <td></td> <td>14.12.09</td> <td>Ho</td> </tr> <tr> <th>Insp.</th> <td></td> <td>Be</td> </tr> <tr> <th>Stand.</th> <td></td> <td></td> </tr> </table>	Detail.	Dat.	Name		14.12.09	Ho	Insp.		Be	Stand.			<table border="1"> <tr> <th>Maßstab/Scale</th> </tr> <tr> <td>1:1</td> </tr> </table>	Maßstab/Scale	1:1	Han 16B-gs-M32 Tüllengehäuse/hood		
Detail.	Dat.	Name																				
	14.12.09	Ho																				
Insp.		Be																				
Stand.																						
Maßstab/Scale																						
1:1																						
A			<table border="1"> <tr> <th>Mod.</th> <th>Dat.</th> <th>Name</th> </tr> <tr> <td></td> <td></td> <td></td> </tr> </table>	Mod.	Dat.	Name				<table border="1"> <tr> <td>HARTING Electric GmbH & Co. KG</td> <td rowspan="2"> </td> <td rowspan="2"> TB 19 30 016 1522 </td> <td rowspan="2"> Blatt/ page / </td> </tr> <tr> <td>D-32339 Espelkamp</td> <td> Sub. TB 19 30 016 1522 v. 20.12.04 </td> </tr> </table>	HARTING Electric GmbH & Co. KG		TB 19 30 016 1522	Blatt/ page /	D-32339 Espelkamp	Sub. TB 19 30 016 1522 v. 20.12.04						
Mod.	Dat.	Name																				
HARTING Electric GmbH & Co. KG		TB 19 30 016 1522	Blatt/ page /																			
D-32339 Espelkamp				Sub. TB 19 30 016 1522 v. 20.12.04																		