

## Excellent Integrated System Limited

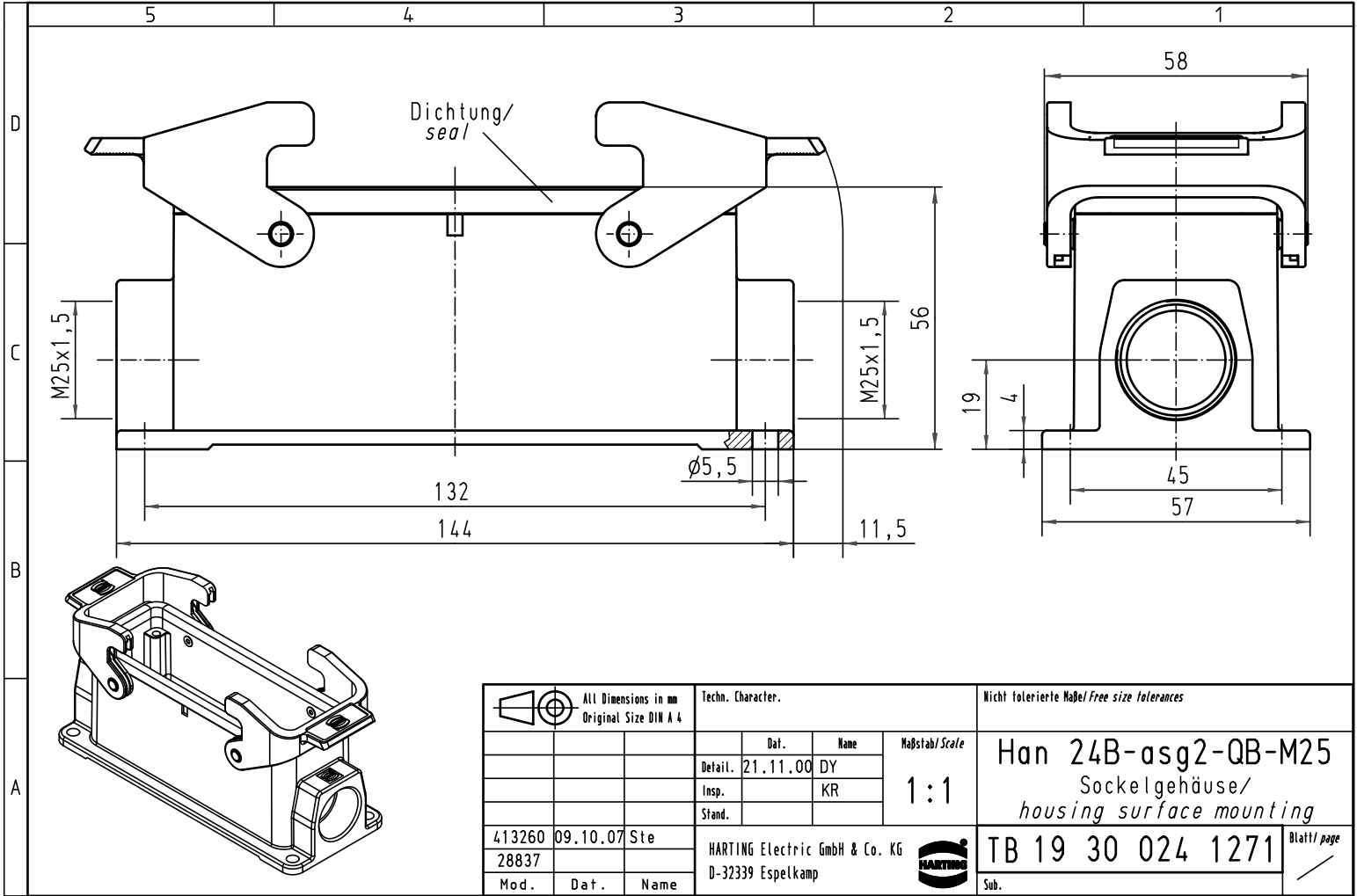
Stocking Distributor

Click to view price, real time Inventory, Delivery & Lifecycle Information:

[Harting](#)  
[19300241271](#)

For any questions, you can email us directly:  
[sales@integrated-circuit.com](mailto:sales@integrated-circuit.com)

Alle Rechte vorbehalten/ All rights reserved



All Dimensions in mm Original Size DIN A 4			Techn. Character.			Nicht tolerierte Maß/Free size tolerances															
			<table border="1"> <tr> <th>Detail.</th> <th>Dat.</th> <th>Name</th> </tr> <tr> <td></td> <td>21.11.00</td> <td>DY</td> </tr> <tr> <th>Insp.</th> <td></td> <td>KR</td> </tr> <tr> <th>Stand.</th> <td></td> <td></td> </tr> </table>	Detail.	Dat.	Name		21.11.00	DY	Insp.		KR	Stand.			<table border="1"> <tr> <th>Maßstab/Scale</th> <td>1:1</td> </tr> </table>	Maßstab/Scale	1:1	<b>Han 24B-asg2-QB-M25</b> Sockelgehäuse/ housing surface mounting		
Detail.	Dat.	Name																			
	21.11.00	DY																			
Insp.		KR																			
Stand.																					
Maßstab/Scale	1:1																				
413260	09.10.07	Ste	HARTING Electric GmbH & Co. KG D-32339 Espelkamp		<b>TB 19 30 024 1271</b>		Blatt/ page /														
28837					Sub.																
Mod.	Dat.	Name																			