

## Excellent Integrated System Limited

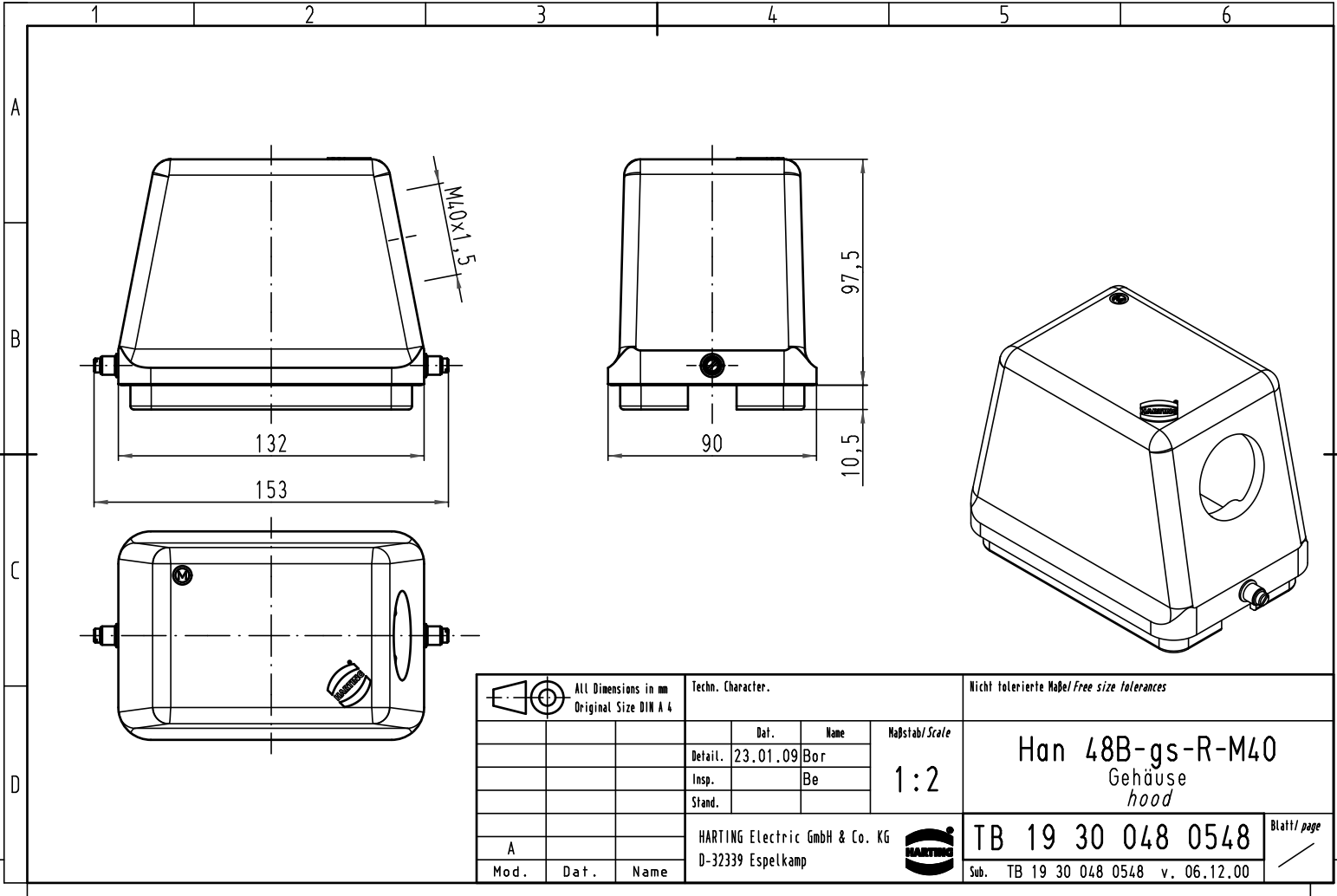
Stocking Distributor

Click to view price, real time Inventory, Delivery & Lifecycle Information:

[Harting](#)  
[19300480548](#)

For any questions, you can email us directly:  
[sales@integrated-circuit.com](mailto:sales@integrated-circuit.com)

Alle Rechte vorbehalten/ All rights reserved



All Dimensions in mm Original Size DIN A 4			Techn. Character.			Nicht tolerierte Maß/Free size tolerances		
			Dat. 23.01.09	Name Bor	Maßstab/Scale  1:2	Han 48B-gs-R-M40 Gehäuse hood		
			Insp.	Be				
			Stand.					
A			HARTING Electric GmbH & Co. KG D-32339 Espelkamp			TB 19 30 048 0548		
Mod.	Dat.	Name				Sub. TB 19 30 048 0548 v. 06.12.00		

Blatt/ page