

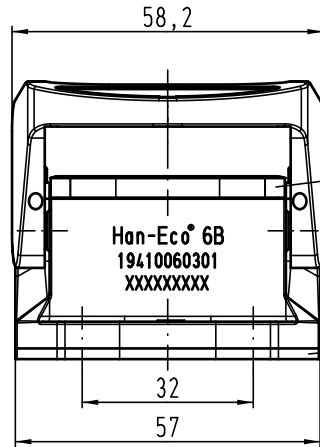
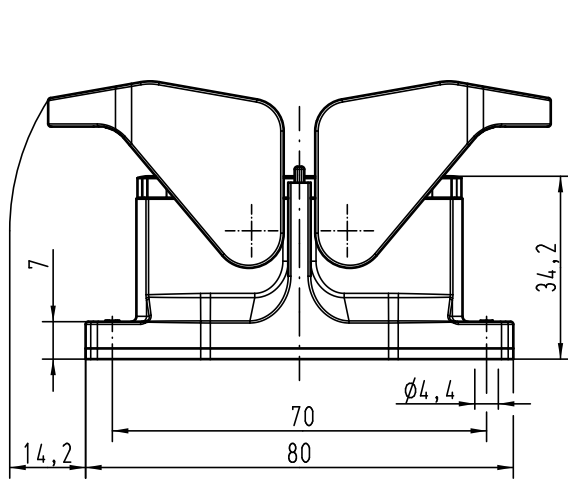
Excellent Integrated System Limited

Stocking Distributor

Click to view price, real time Inventory, Delivery & Lifecycle Information:

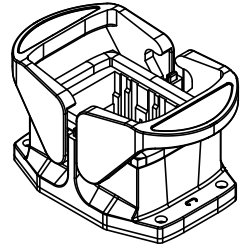
[Harting](#)
[19410060301](#)

For any questions, you can email us directly:
sales@integrated-circuit.com

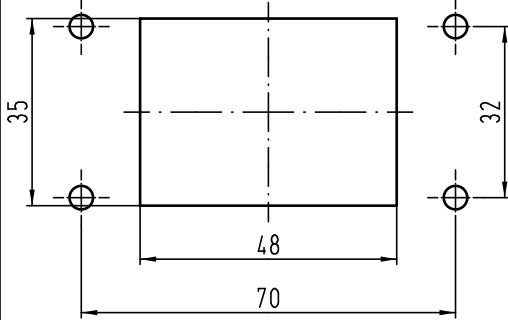


Dichtung
seal

Flanschdichtung
gasket



Montageausschnitt
panel cut out



All Dimensions in mm Original Size DIN A 4			Techn. Character.			Nicht tolerierte Maß/Free size tolerances		
			Detail.	27.10.10	Rull	Maßstab/Scale 1:1	Han-Eco 6B-agg Anbaugeschäse housing bulkhead mounting	
			Insp.		Herb			
			Stand.					
B	14.02.12	Ho	HARTING Electric GmbH & Co. KG				TB 19 41 006 0301	
A			D-32339 Espelkamp					
Mod.	Dat.	Name					Blatt/ page	