

Excellent Integrated System Limited

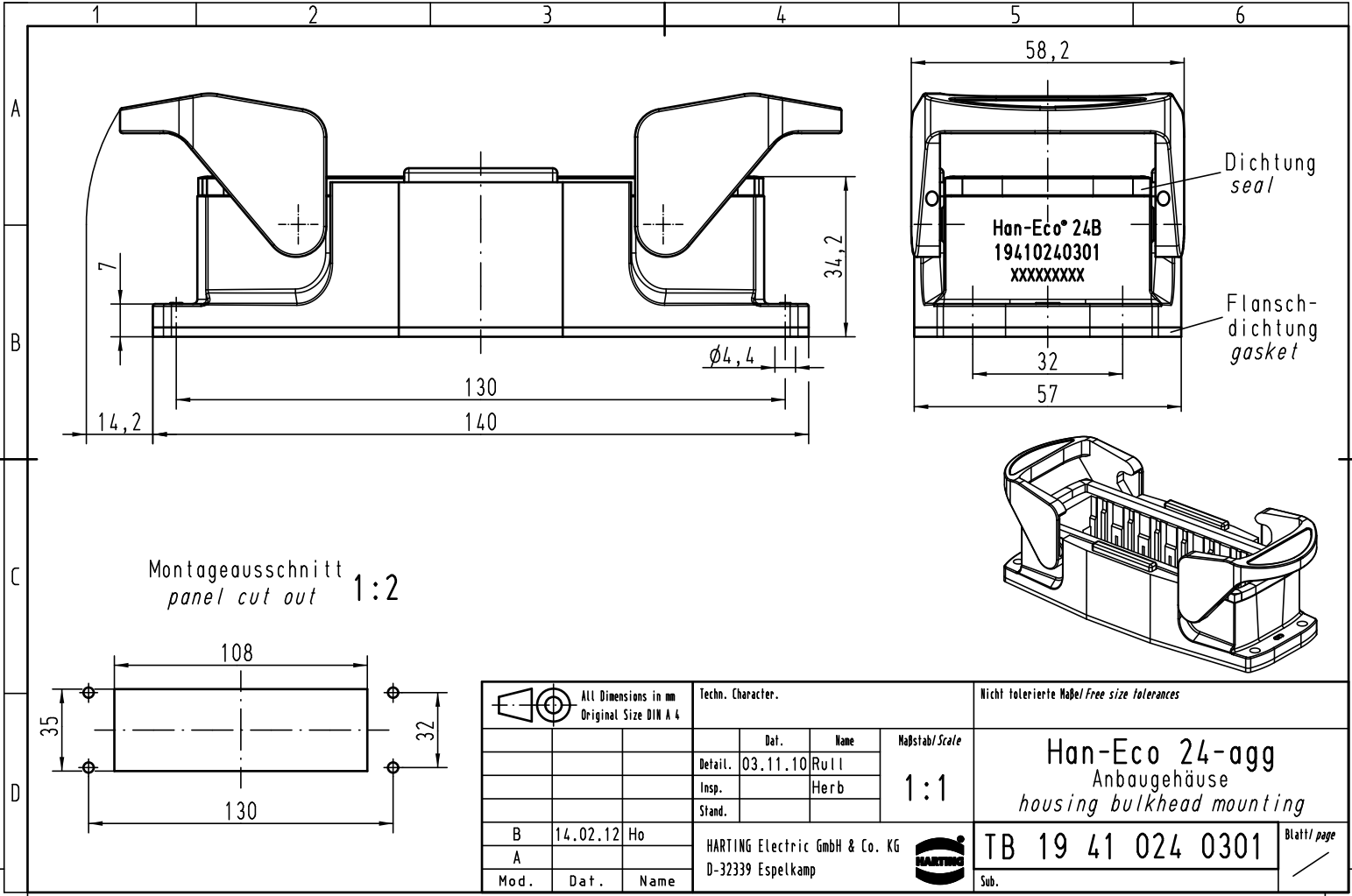
Stocking Distributor

Click to view price, real time Inventory, Delivery & Lifecycle Information:

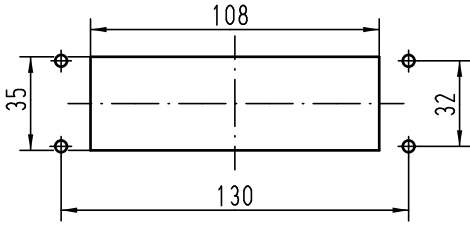
[Harting](#)
[19410240301](#)

For any questions, you can email us directly:
sales@integrated-circuit.com

Alle Rechte vorbehalten/ All rights reserved



Montageausschnitt
panel cut out 1:2



		Techn. Character.			Nicht tolerierte Maß/Free size tolerances	
			Dat. 03.11.10	Name Rull	Han-Eco 24-agg Anbaugeschäse housing bulkhead mounting	
			Insp.	Herb		
			Stand.			
				Maßstab/Scale 1:1		
B	14.02.12	Ho	HARTING Electric GmbH & Co. KG		TB 19 41 024 0301	
A			D-32339 Espelkamp		Blatt/ page	
Mod.	Dat.	Name			Sub.	