

## Excellent Integrated System Limited

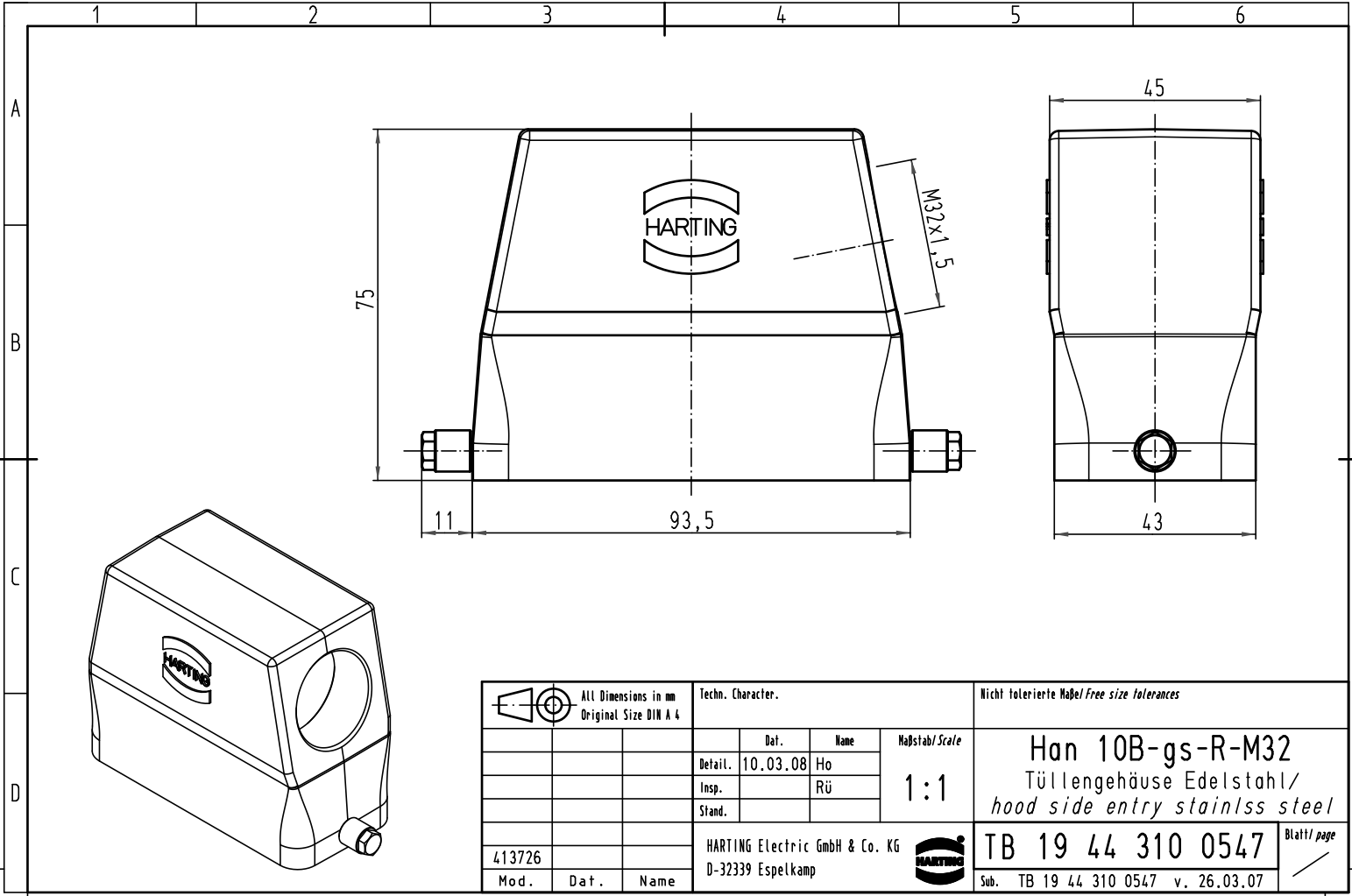
Stocking Distributor

Click to view price, real time Inventory, Delivery & Lifecycle Information:

[Harting](#)  
[19443100547](#)

For any questions, you can email us directly:  
[sales@integrated-circuit.com](mailto:sales@integrated-circuit.com)

Alle Rechte vorbehalten/ All rights reserved



All Dimensions in mm Original Size DIN A 4			Techn. Character.			Nicht tolerierte Maß/Free size tolerances			
			Dat. 10.03.08	Name Ho	Maßstab/Scale 1:1	<b>Han 10B-gs-R-M32</b> Tüllengehäuse Edelstahl/ hood side entry stainless steel			
			Insp.	Rü					
			Stand.						
413726			HARTING Electric GmbH & Co. KG D-32339 Espelkamp				<b>TB 19 44 310 0547</b>		Blatt/ page
Mod.	Dat.	Name					Sub. TB 19 44 310 0547 v. 26.03.07		