

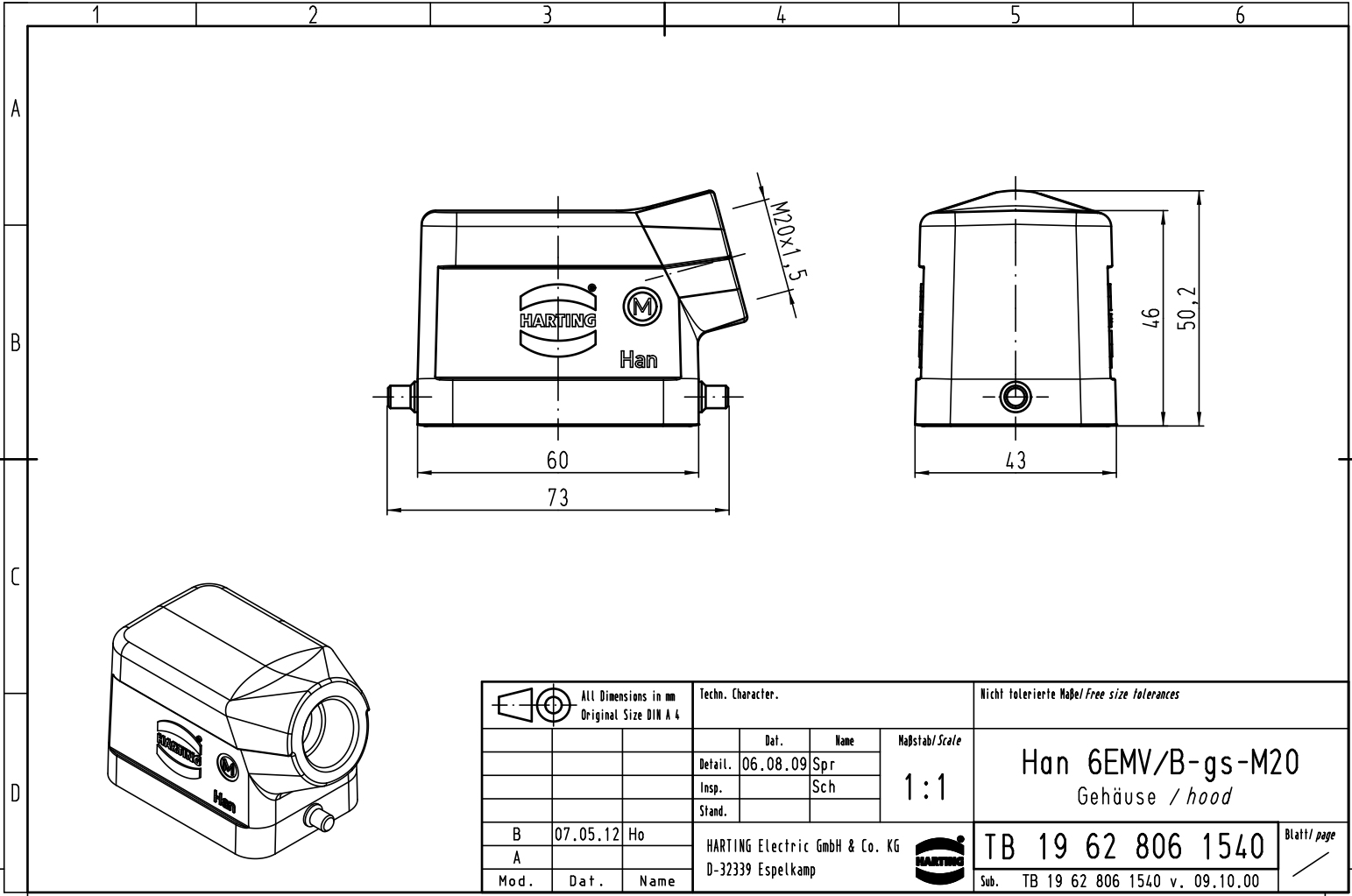
## Excellent Integrated System Limited

Stocking Distributor

Click to view price, real time Inventory, Delivery & Lifecycle Information:

[Harting](#)  
[19628061540](#)

For any questions, you can email us directly:  
[sales@integrated-circuit.com](mailto:sales@integrated-circuit.com)



All Dimensions in mm Original Size DIN A 4			Techn. Character.			Nicht tolerierte Maß/Free size tolerances	
			Detail.	06.08.09	Spr	1:1	Han 6EMV/B-gs-M20 Gehäuse / hood
			Insp.		Sch		
			Stand.				
B	07.05.12	Ho	HARTING Electric GmbH & Co. KG			TB 19 62 806 1540	Blatt/ page
A			D-32339 Espelkamp				
Mod.	Dat.	Name				Sub.	TB 19 62 806 1540 v. 09.10.00