

## Excellent Integrated System Limited

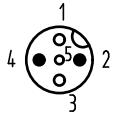
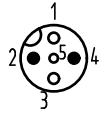
Stocking Distributor

Click to view price, real time Inventory, Delivery & Lifecycle Information:

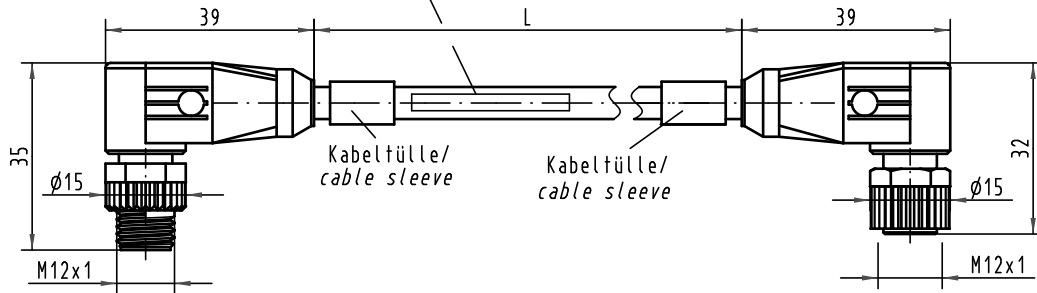
[Harting](#)  
[21034496302](#)

For any questions, you can email us directly:  
[sales@integrated-circuit.com](mailto:sales@integrated-circuit.com)

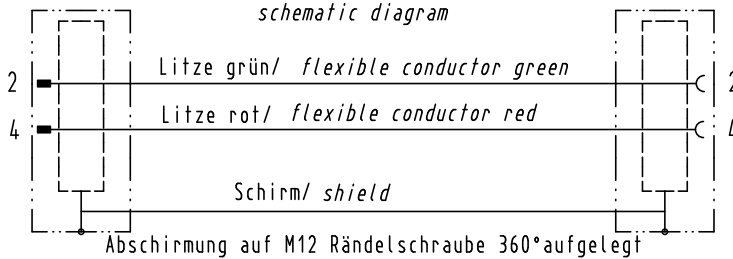
Alle Rechte vorbehalten/ All rights reserved



HARTING/Art.Nr./Fert.Code/Made in Germany  
HARTING/part No./prod.code/Made in Germany

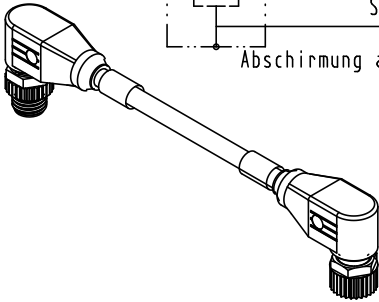


Stromlaufplan/  
schematic diagram



Halogen-freie PUR-Leitung 2x0,64mm<sup>2</sup>  
in violett mit UL/CSA-Zulassung/  
Halogen-free PUR-conductor 2x0,64mm<sup>2</sup>  
violet with approval according to UL/CSA

21 03 449 6301	0,3m
21 03 449 6302	0,6m
21 03 449 6303	1,0m
21 03 449 6304	1,5m
21 03 449 6305	2,0m
Artikelnr.	Nennlänge (L)



<p>All Dimensions in mm Original Size DIN A 4</p>	Techn. Character.			Nicht tolerierte Maß/Free size tolerances												
					<p><b>M12-Rundsteckverbinder</b> Stift u. Buchse gewinkelt, B-Cod. M12-circular connector/ female and male angular</p>											
				<table border="1"> <tr> <td>Detail.</td> <td>26.10.07</td> <td>Rull</td> </tr> <tr> <td>Insp.</td> <td></td> <td>Sch</td> </tr> </table>		Detail.	26.10.07	Rull	Insp.		Sch					
	Detail.	26.10.07	Rull													
Insp.		Sch														
			Maßstab/Scale <b>1:1</b>													
<table border="1"> <tr> <td>ECO1905</td> <td>21.05.10</td> <td>DY</td> </tr> <tr> <td>413610</td> <td>31.01.08</td> <td>DY</td> </tr> <tr> <td>413286</td> <td></td> <td></td> </tr> <tr> <td>Mod.</td> <td>Dat.</td> <td>Name</td> </tr> </table>	ECO1905	21.05.10	DY	413610	31.01.08	DY	413286			Mod.	Dat.	Name	<p>HARTING Electronics GmbH &amp; Co. KG D-32339 ESPELKAMP</p>		<p><b>TB 21 03 449 6300</b></p>	Blatt/ page
ECO1905	21.05.10	DY														
413610	31.01.08	DY														
413286																
Mod.	Dat.	Name														