



Distributor of Harting: Excellent Integrated System Limited

Datasheet of 60010205140 - D-Sub Connector Receptacle, Female Sockets 20 Position
Through Hole, Right Angle Solder

Contact us: sales@integrated-circuit.com Website: www.integrated-circuit.com

Excellent Integrated System Limited

Stocking Distributor

Click to view price, real time Inventory, Delivery & Lifecycle Information:

[Harting](#)

[60010205140](#)

For any questions, you can email us directly:

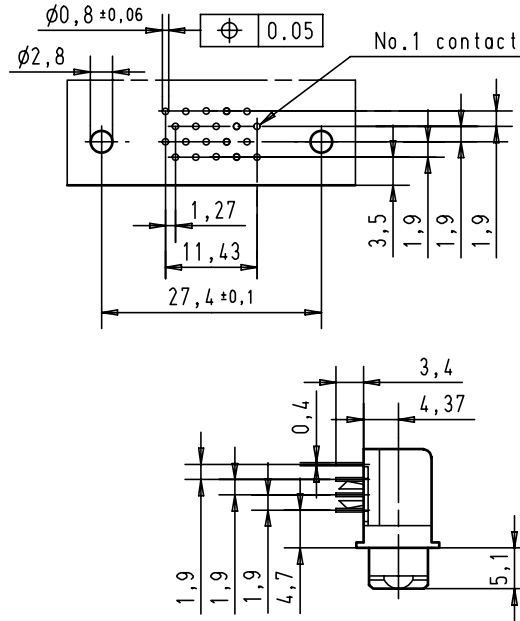
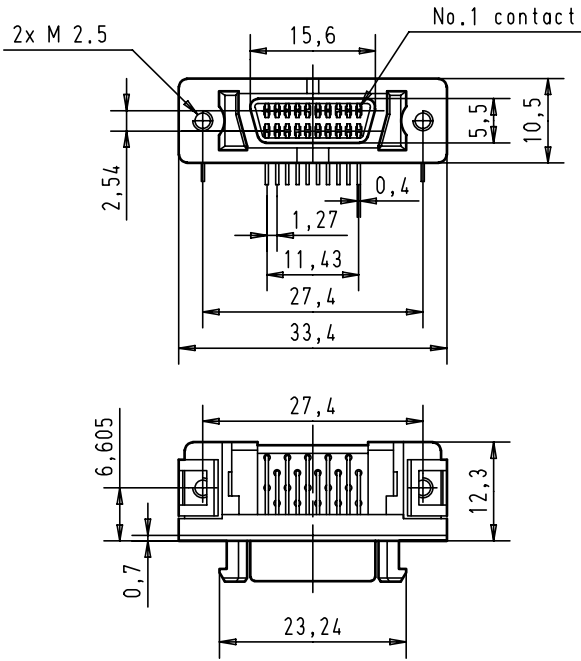
sales@integrated-circuit.com



5

2

1

Printed board layout
Component side



			Det.	Name	 har.mik® I/O pin/socket 20 poles female connector with angled solder pins, board lock, fixed latching, panel fixing 2x M2,5	Maßstab/ Scale	
			Detail.	21-JUN-01		All Dim. in mm Orig. Size DIN A 4	1,5:1
			Insp.				
			Stand.				
29686	21-JUN-01	SG	HARTING EURL F-95972 Paris		 TB 60 01 020 5140	Blatt/ Page	
Mod.	Det.	Name				Sub.	1/1