



**Distributor of Harting: Excellent Integrated System Limited**

Datasheet of 60010265102 - D-Sub Connector Receptacle, Female Sockets 26 Position  
Through Hole Solder

Contact us: [sales@integrated-circuit.com](mailto:sales@integrated-circuit.com) Website: [www.integrated-circuit.com](http://www.integrated-circuit.com)

---

## **Excellent Integrated System Limited**

Stocking Distributor

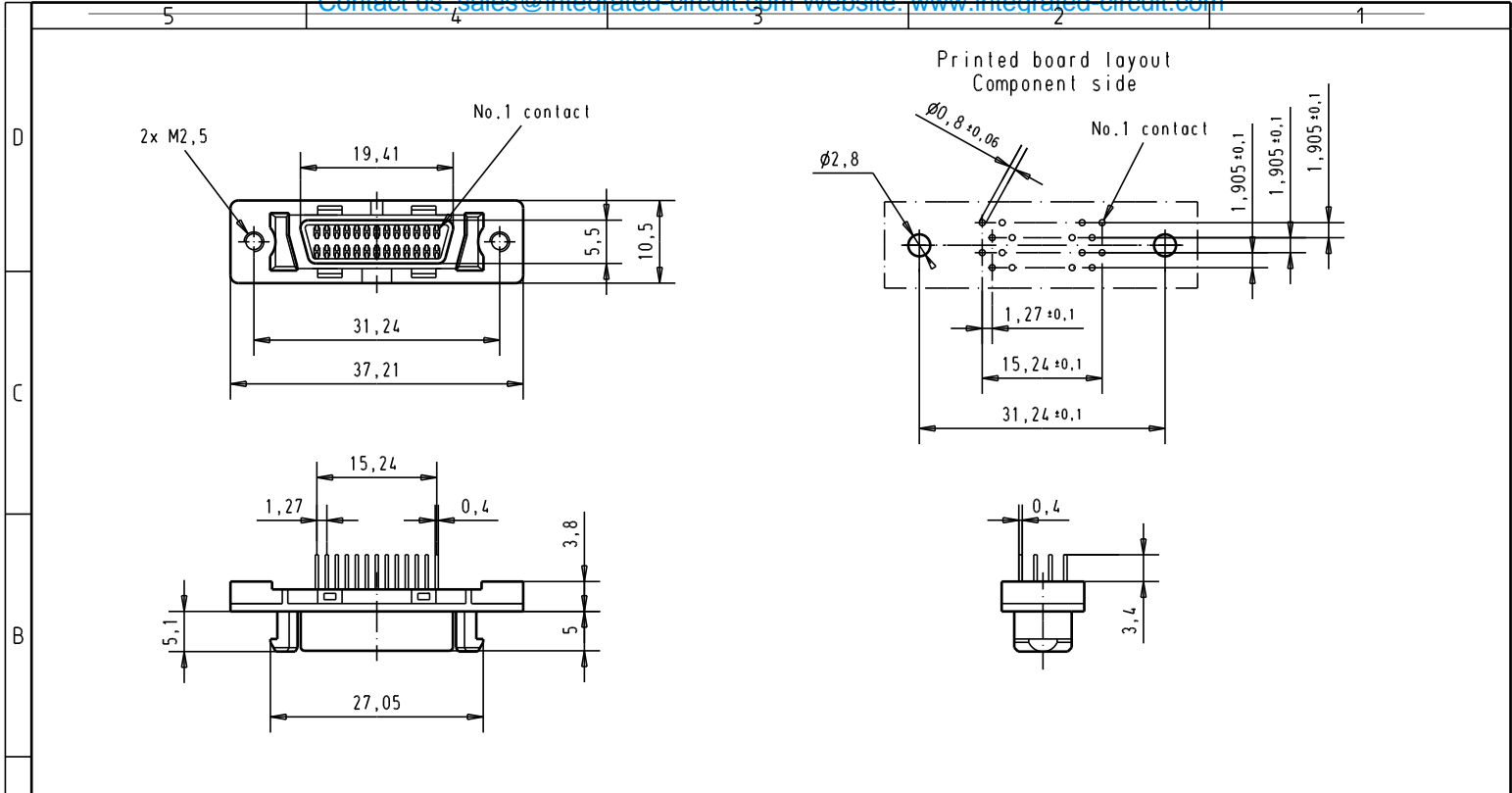
Click to view price, real time Inventory, Delivery & Lifecycle Information:

[Harting](#)



[60010265102](#)

For any questions, you can email us directly:

[sales@integrated-circuit.com](mailto:sales@integrated-circuit.com)



Pagos S4 plating  
0.1  $\mu\text{m}$  Gold over 0.6  $\mu\text{m}$  Palladium  
over 1.5  $\mu\text{m}$  Nickel

				Det.	Name	 All Dim. in mm Orig. Size DIN A 4	<b>har.mik<sup>®</sup></b> I/O pin/socket 26 poles female connector with straight solder pins and fixed latching	Moßstab/ Scale
			Detail.	30-AUG-00	JB			1,5:1
			Insp.					
			Stand.					Blatt/ Page
33101	19/09/05	AM	HARTING EURL				<b>TB 60 01 026 5102</b>	1/1
27941	30-AUG-00	JB	F-95972 Paris					
Mod.	Det.	Name						