



**Distributor of Harting: Excellent Integrated System Limited**

Datasheet of 60010265140 - D-Sub Connector Receptacle, Female Sockets 26 Position  
Through Hole, Right Angle Solder

Contact us: [sales@integrated-circuit.com](mailto:sales@integrated-circuit.com) Website: [www.integrated-circuit.com](http://www.integrated-circuit.com)

---

## Excellent Integrated System Limited

Stocking Distributor

Click to view price, real time Inventory, Delivery & Lifecycle Information:

[Harting](#)

[60010265140](#)

For any questions, you can email us directly:

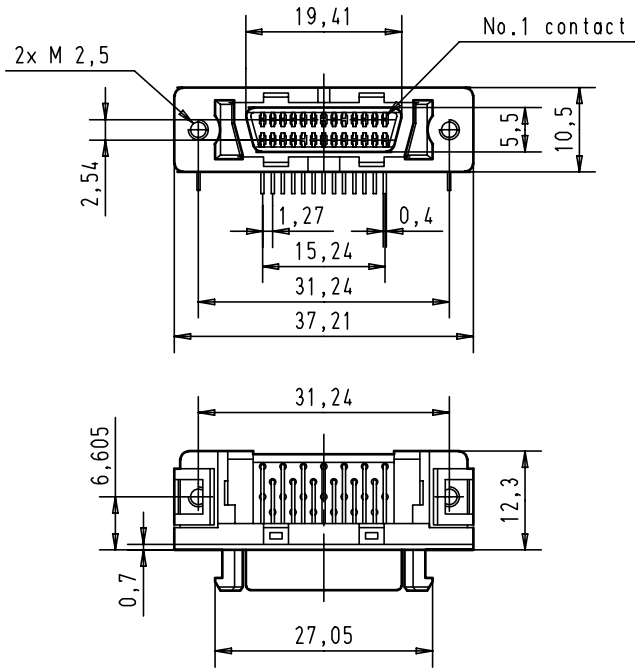
[sales@integrated-circuit.com](mailto:sales@integrated-circuit.com)

5

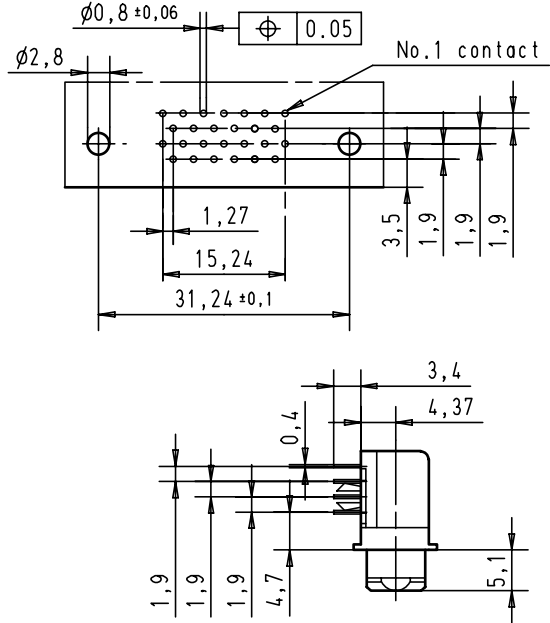
2



1

D  
C  
B  
A



Printed board layout  
Component side



			Det.	Name	 All Dim. in mm Orig. Size DIN A 4	<i>har.mik</i> ® I/O pin/socket 26 poles female connector with angled solder pins, board lock, fixed latching, panel fixing 2x M2,5	Maßstab/ Scale 1,5:1
		Detail.	21-JUN-01	SG			
		Insp.					
		Stand.					
29686	21-JUN-01	SG	HARTING EURL F-95972 Paris			<b>TB 60 01 026 5140</b>	Blatt/ Page 1 / 1
Mod.	Det.	Name					